



CAVEA



CAVEA

HIGH-PERFORMANCE
STORAGE WITHOUT
COMPROMISING DESIGN.



BLOCKS THE EFFECTS OF LIGHT

An effective barrier against radiation and UV rays.



AIRTIGHT

An airtight cellar ready for any configuration.



SUPERIOR INSULATION

Its thermal resistance is higher than with standard glass.



CUSTOMIZABLE

The configurations of the system are endless.



AESTHETIC

Offers a maximized glass surface.



Insulation rating above standard glass

7_x

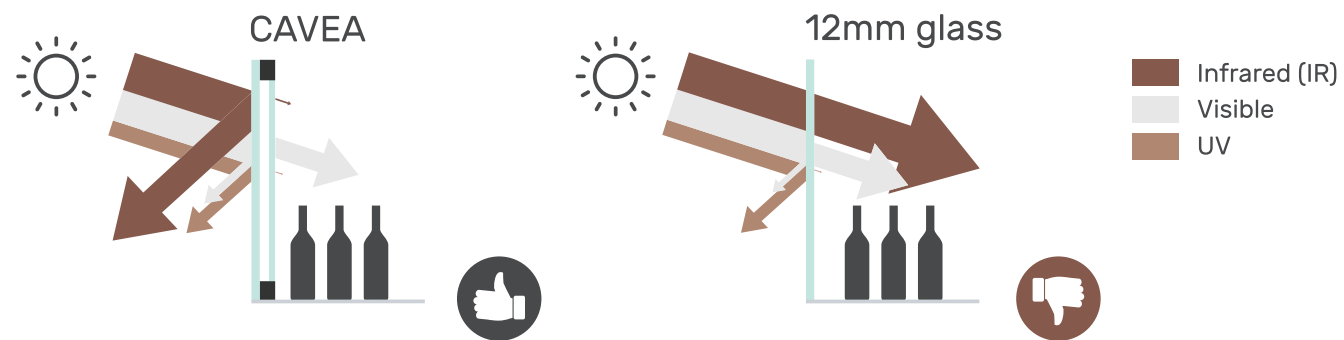
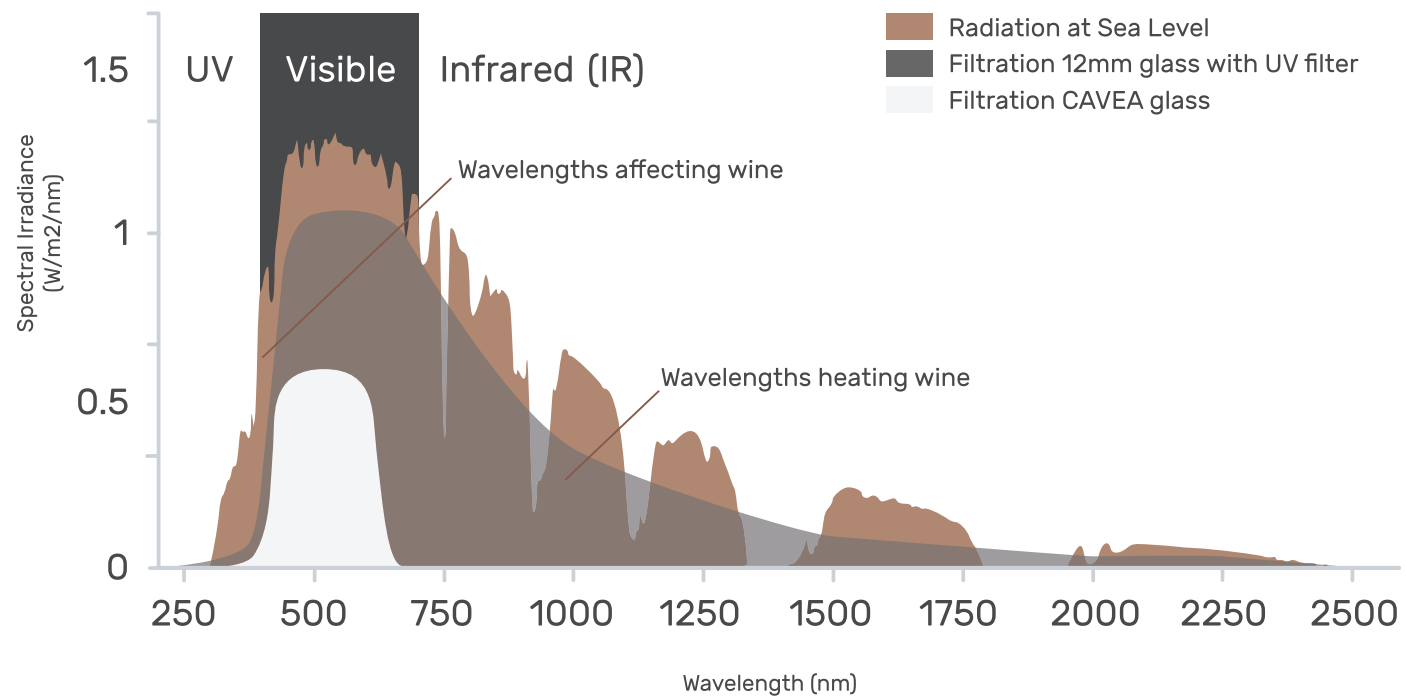
Glass panels as high as

10_{FEET}

Glass panels as wide as

8_{FEET}





☀️ BLOCKS THE EFFECTS OF LIGHT

CAVEA IS THE FIRST GLASS CELLAR IN THE WORLD DESIGNED FOR MATURING WINES.

The glass composition is a result of long-term research and development. Its construction differs from the rest, with multiple filters that are overlapped in a precise order. This combination ensures that the glass will protect the wine from the damaging effects of light.

Actually, light initiates many chemical reactions.

The light's shortest wavelengths - UV rays - are mostly responsible for light strike, a condition that produces an unpleasant aroma of boiled cabbage and cooked onions. Natural light and even fluorescent light found in markets and wine shops can spoil the wine's aroma in less than a week. The light's longest wavelengths - infrared rays - will heat the wine inside the bottle, causing irreversible damage.

CAVEA protects the wine against all types of non-desirable rays.



≡ | AIRTIGHT

CAVEA'S AIRTIGHT CONSTRUCTION PROTECTS THE WINE CELLAR AGAINST TEMPERATURE VARIATIONS, DRYNESS OF AIR AND ODOURS.

Far from being a mere glass panelled enclosure, CAVEA is actually a glass partitioning system equipped with a very complex mechanism. Its purpose: achieve absolute airtightness no matter its configuration.

The combination of integrated elements such as flexible seals, continuous hinges as well as a dual latch closing system create a genuine seal against harmful elements that could alter the wine's structural integrity.

SUPERIOR INSULATION

AT THE HEART OF CAVEA'S SYSTEM IS A 51 MM
THICK THERMO-GLASS WITH A R6 HEAT
INSULATION COEFFICIENT.

Due to its unique combination, the glass's thermal resistance
is seven times greater than with a single 12 mm laminated
glass commonly used in building a glass cellar.





≡ CUSTOMIZABLE

ONE SYSTEM WITH ENDLESS CONFIGURATIONS.

No matter if the cellar's configuration includes a fixed panel, a single door, a double door or a combination of all of these elements, with CAVEA, nothing is impossible.

Engineers working at The Wine Square have carefully designed various aluminum profiles that fit together perfectly, offering endless configurations that can be adjusted to any room layout.

AESTHETIC

OFFERING IDEAL WINE MATURING CONDITIONS, CAVEA'S HIGH-PERFORMANCE GLASS SYSTEM DIFFERS FROM THE REST WITH ITS COMPLETE HIDDEN STRUCTURE. IN LINE WITH CURRENT TRENDS, THIS COMBINATION MAXIMIZES THE GLASS'S SURFACE WITHOUT COMPROMISING THE WINE'S QUALITY.

CAVEA's integrated framing makes it possible to benefit from having insulated glass without having the inconvenience of a massive and bulky structure.

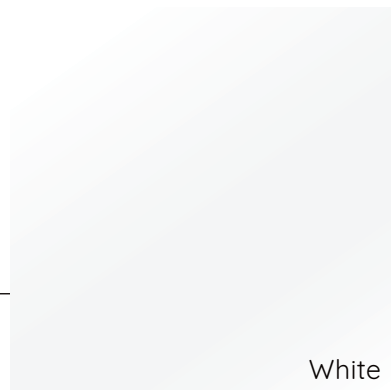
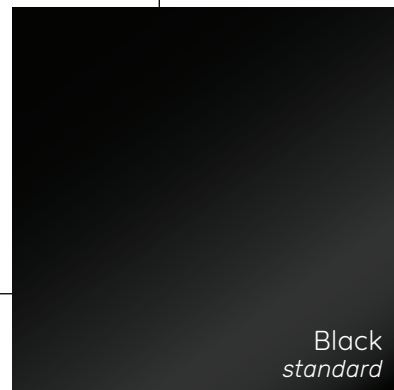




CUSTOMIZING OPTIONS

SILKSCREEN ON GLASS

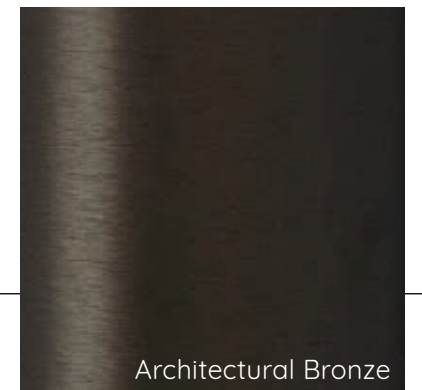
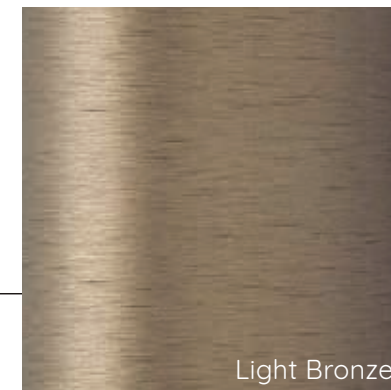
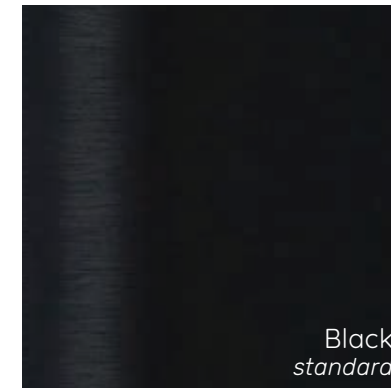
The silkscreen on the
CAVEA glass can be
customized to different
colors.



CUSTOMIZING OPTIONS

ALUMINUM FRAMES

The aluminum frames
can be customized to
reflect the potential
environment where you
will place your wine
cellar.





LIGHT OFF



LIGHT ON

CUSTOMIZING OPTIONS

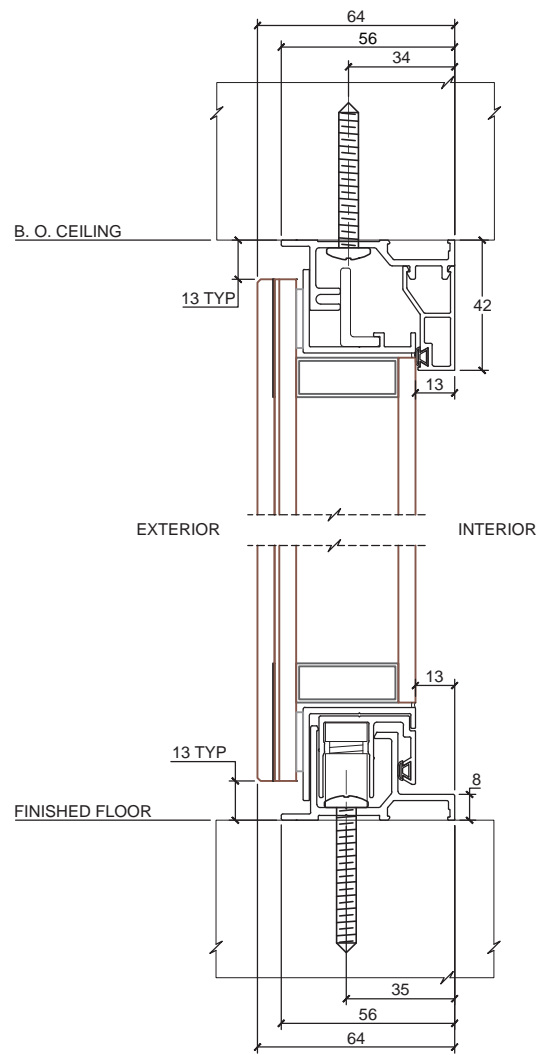
GLASS OPTION

We also offer the option of masking the content of your wine cellar with a Mirropane™ glass. One-way vision glass creates an opaque mirror-like visual barrier between subjects while allowing observers to see through the glass.

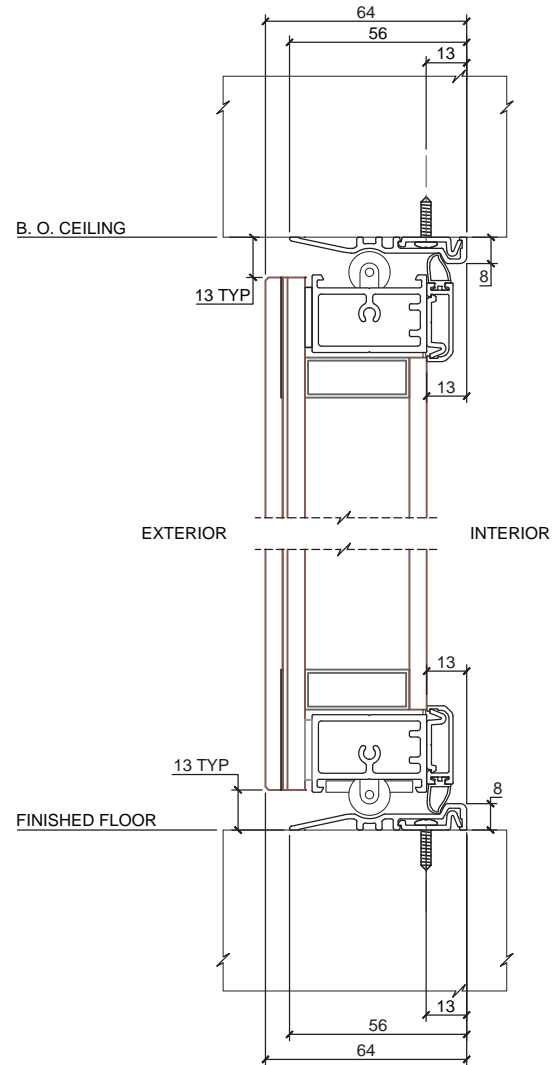
Using this technology, we are able to create an enclosure where the content is hidden and produce a superb effect once the light is turned on within the wine cellar.



TECHNICAL SPECIFICATIONS

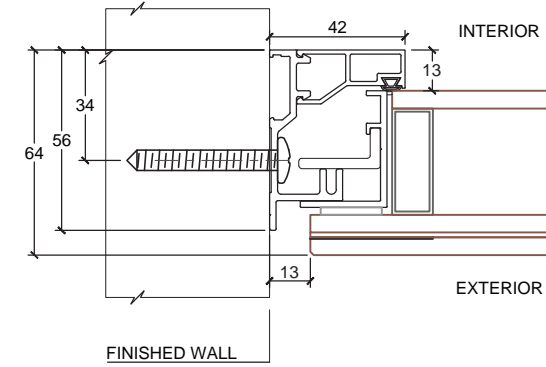


FIXED PANEL
VERTICAL SECTION

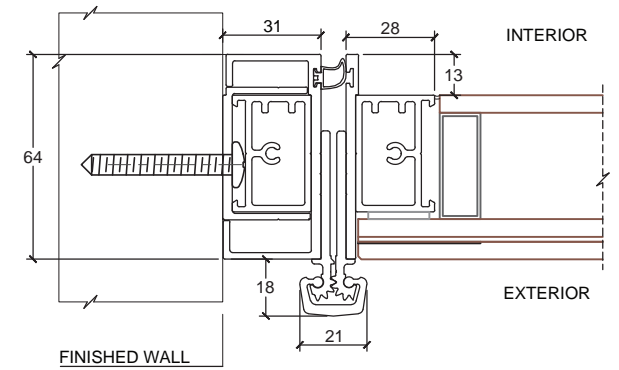


ACCESS DOOR
VERTICAL SECTION

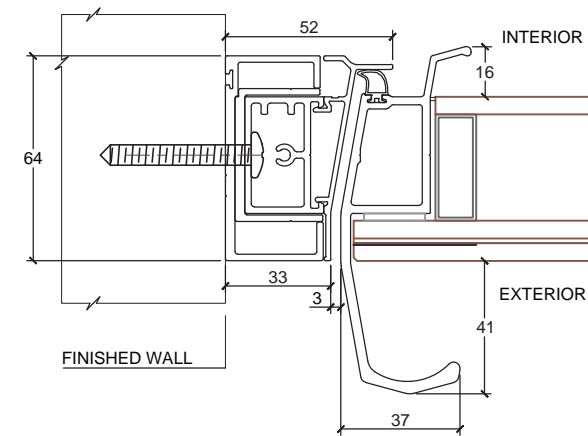
TECHNICAL SPECIFICATIONS



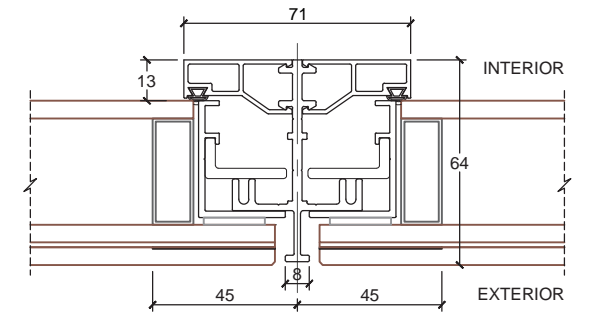
FIXED PANEL W/ FIXED WALL
HORIZONTAL SECTION



DOOR W/ FIXED WALL
HORIZONTAL SECTION

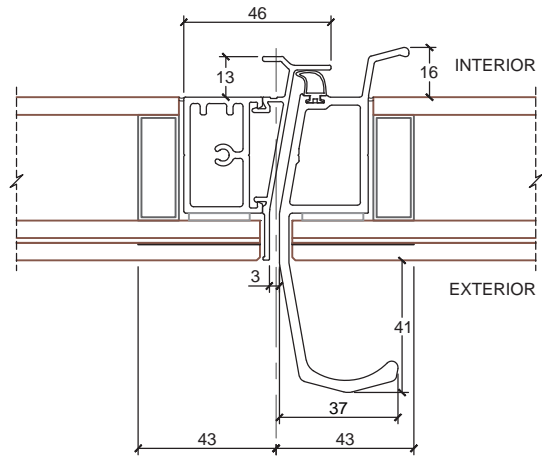


STRIKE W/ FIXED WALL
HORIZONTAL SECTION

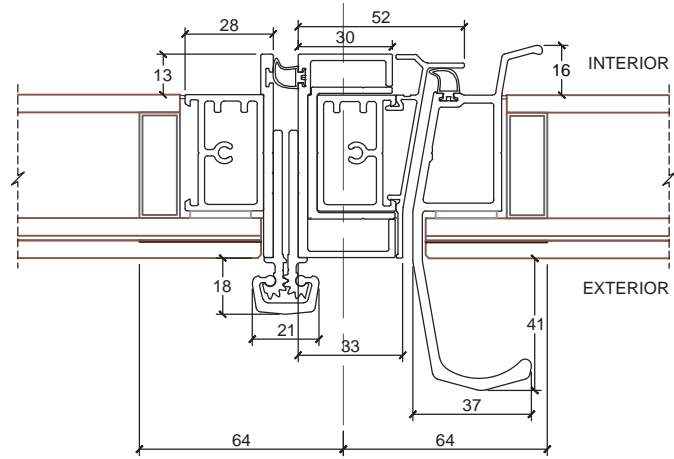


SIDE-BY-SIDE FIXED WALL
HORIZONTAL SECTION

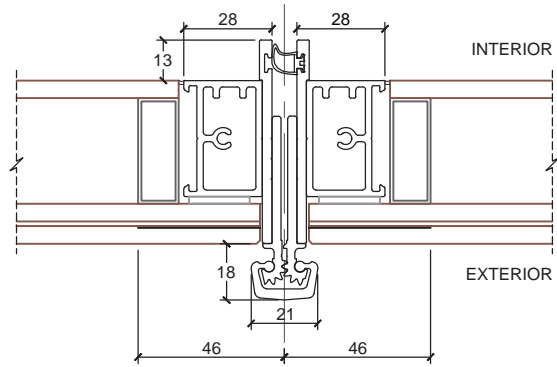
TECHNICAL SPECIFICATIONS



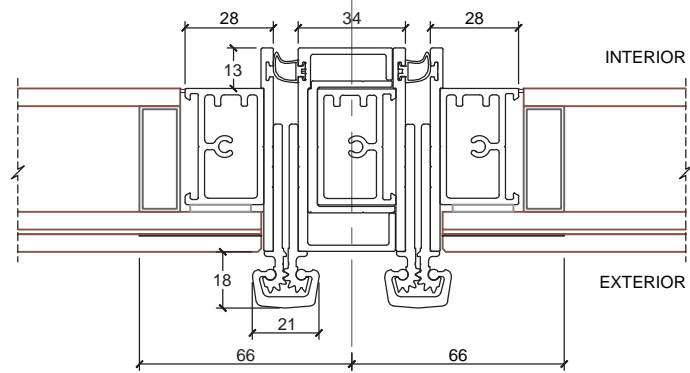
FIXED PANEL W/ STRIKE
HORIZONTAL SECTION



SIDE-BY-SIDE SINGLE DOORS
HORIZONTAL SECTION

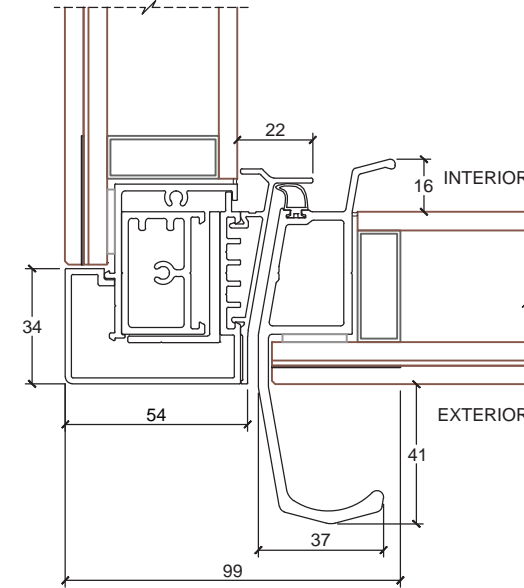


FIXED PANEL W/ DOOR
HORIZONTAL SECTION

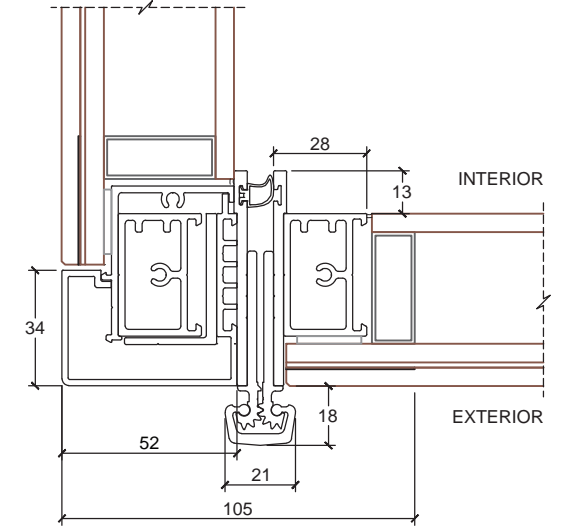


SIDE-BY-SIDE OPPOSITE SWING
SINGLE DOORS
HORIZONTAL SECTION

TECHNICAL SPECIFICATIONS



FIXED CORNER PANEL W/ STRIKE
HORIZONTAL SECTION



FIXED CORNER PANEL W/ DOOR
HORIZONTAL SECTION





www.thewinesquare.com