

ISOCASE TECHNICAL SPECIFICATIONS

WWW.THEWINESQUARE.COM

ISOCASE



TABLE OF CONTENTS

ISOCASE

SYSTEM OVERVIEW	2
INTEGRATION	3
NEW CONSTRUCTION OR MAJOR RENOVATION	3
INHABITED RESIDENCE	3
STRUCTURE	5
MINIMUM REQUIREMENTS	6
DIMENSIONS AND CONFIGURATIONS	7
GLASS TYPE	8
CAVEA A61	8
CAVEA ONE	8
DOOR OPENINGS	9
INTERIOR FINISH TYPE	10
LIGHTS	11
LIGHTING SPECS	11
SPECIFICATIONS	12
COOLING NEEDS	17
ISOCASE - CAVEA A61	18
ISOCASE - CAVEA ONE	20
SYSTEM COMPONENTS	22
ASSEMBLY INSTRUCTIONS	25

SYSTEM OVERVIEW

The ISOCASE is a prefabricated wine cellar enclosure. The result of many years of development in the engineering of wine cellars, by The Wine Square, it ensures perfect insulation and sealing which translates into better quality of wine aging.

It makes it easier for architects, designers and contractors to integrate a wine cellar into a project by limiting the number of stakeholders, unknowns, risks and responsibilities related to the inclusion of this mechanical component in a residence or a business.

Offered in a multitude of sizes and configurations, with or without interior finish, it is easy to find a model that adapts to the project.

Fully robotized manufacturing ensures unequalled precision and an impeccable finish. Offered with CAVEA glass and compatible with the CUBE and CUBE-LT cooling system, it allows the complete installation of a wine cellar in less than a day, without dust or special skills.

An online configuration tool allows you or a client to quickly get an overview of the wine cellar. It facilitates the selection of the style, the colors or the type of racking.

www.thewinesquare.com/configurator

Although only a few dimensions and configurations are available with this online tool, you can contact us at info@thewinesquare.com to obtain a version updated by our designers with the correct dimensions.

INTEGRATION

The integration of the ISOCASE can be done in different ways, but here are the most common scenarios depending on the type of project.

NEW CONSTRUCTION OR MAJOR RENOVATION

When paint or drywall work is required for the project, the ISOCASE is usually installed in two stages.

STEP 1: The insulating structure is installed at the very beginning of the project, when the interior divisions are erected. The “rough” of the cooling system is also done at this stage.

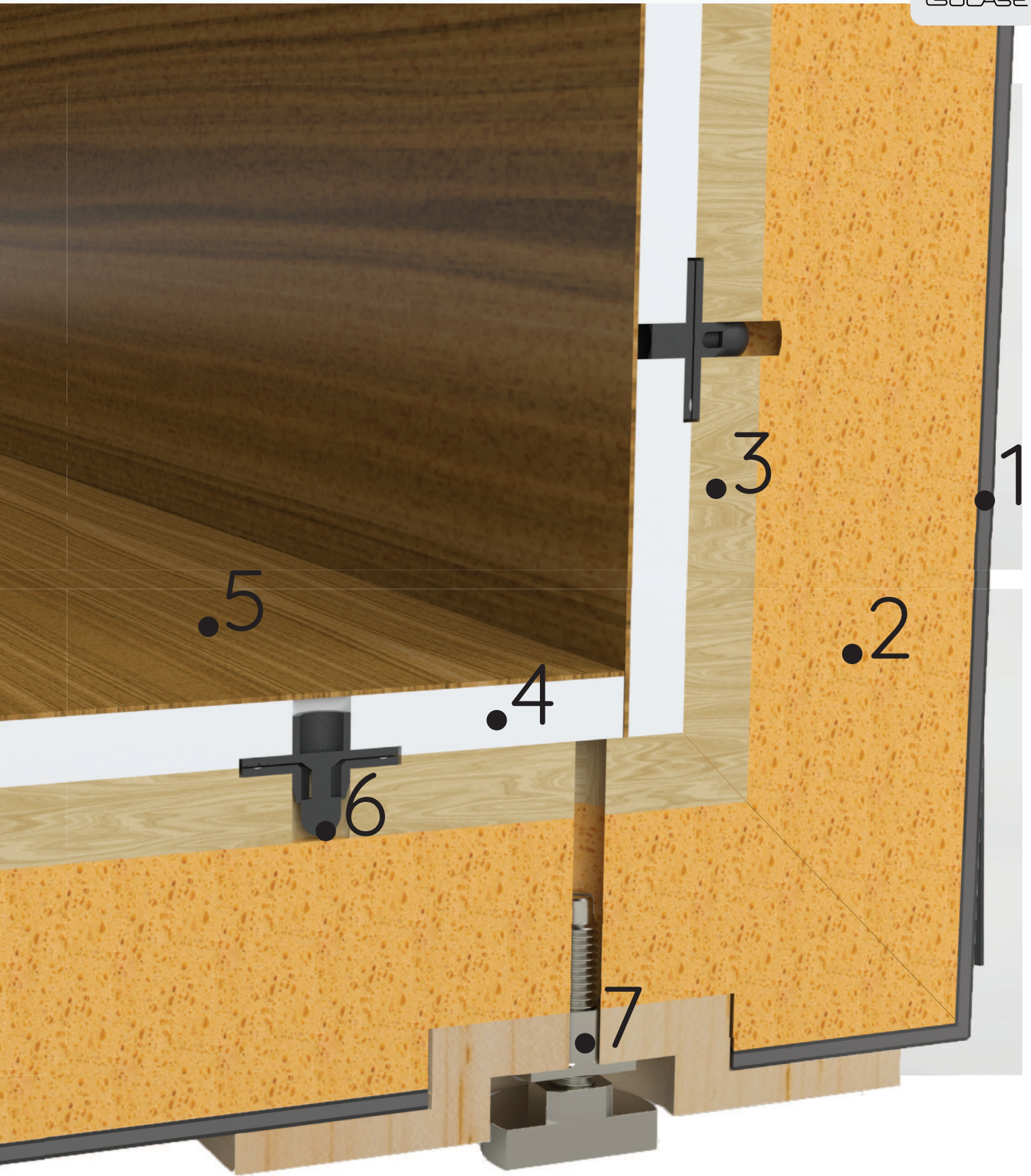
STEP 2: During the final interior finishing stages of the house, for example when the kitchen cabinets are installed, the interior finish of the wine cellar, glass, wine racks and air conditioning system are installed and put in service.

INHABITED RESIDENCE

When adding a wine cellar is the project in itself and it is done in an inhabited residence, the installation is done in a single step.

Before installing the ISOCASE, the power supply for the lights and the rough-in of the cooling system are completed, usually by creating small openings in the wall behind the cellar and which will be hidden when the unit is in place.

The structure is then installed with the finish, bottle racks, glasses and cooling system. A latex seal is applied between the exterior of the envelope and the existing walls and then painted.



STRUCTURE

The structure of the Isocase is designed to provide the engineering parameters necessary for creating a suitable space for storing wine without compromising aesthetics and ease of installation.

This insulating structure protects against the effects of temperature, humidity and light.

Produced in panels on numerically controlled machining centers, it guarantees an absolutely flawless result, both in terms of size and alignment.

- 1 Metal composite exterior provide a barrier again humidity and heat by thermal radiation.
- 2 Type III high density expanded polystyrene without any thermal bridge for heat insulation by conduction.
- 3 15mm birch plywood blocking on all surfaces for solid anchoring of bottle racks.
- 4 Expanded PVC foam provides a second layer of insulation, moisture protection and stable support for the interior liner.
- 5 Interior coating in natural wood veneer protected by a low V.O.C. varnish, or in FENIX, an intelligent multi-layer coating.
- 6 Mounting system for panels without visible screws.
- 7 Adjustable leg system for easy levelling of the structure.

MINIMUM REQUIREMENTS

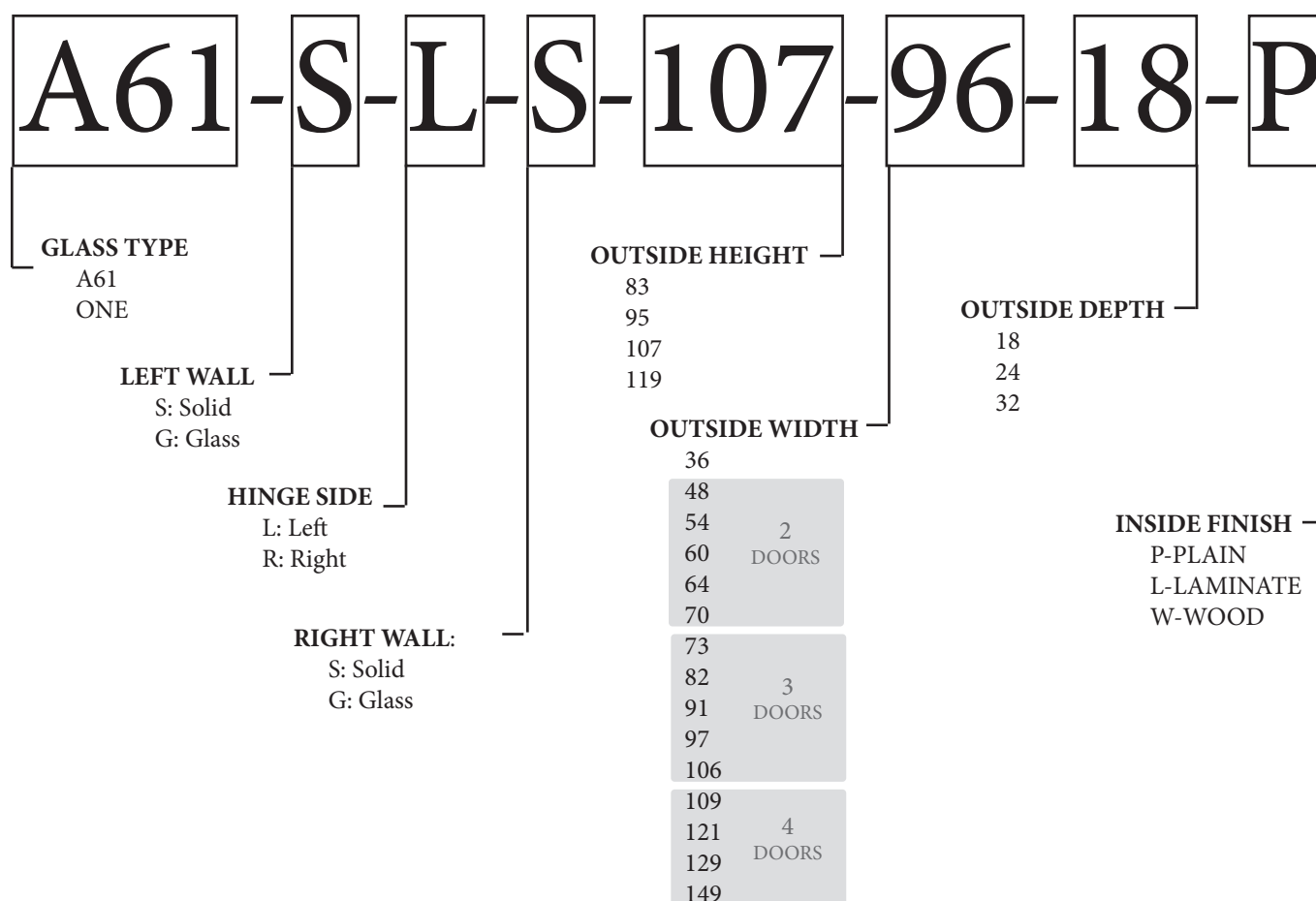
Setting up a wine cellar using the ISOCASE enclosure is simple, but requires a few considerations before installing it.

1. Make sure that the building structure is able to support the weight of the wine cellar where you want to install it. For calculation purposes, you can consider the glass envelope at 10lbs/ft² and the wine bottles at 3lbs per bottle.
2. Make sure to meet the minimum requirements of the cooling system (refer to the documentation of the cooling system) and install the rough-in needed for the system before installing the ISOCASE.
3. Make sure you do not have heated floors under the ISOCASE. If a heated floor is already installed, confirm the location of the conduits/wires before fixing the ISOCASE to the floor to avoid damages.
4. Plan lighting controls for the wine cellar.
 - Be sure to integrate the switch(es) needed to control the lights nearby. Find a location for the 24V power supply(s). The lights inside the ISOCASE work with a 24V DC power supply. A 24V power supply will need to be installed somewhere **outside** the wine cellar.
 - Plan the 120VAC power supply for the lights. You will need to provide for each light circuit(s) a 120VAC power supply, controlled by the wine cellar light switch(s), in the desired location for the power supply(s). You will therefore need a **120VAC wire between the switch and the power supply of the lights for each circuit**. There will therefore be no 120VAC wire at the location of the wine cellar.
 - You will then need to run a low voltage wire between the location of the power supply and the ceiling of the desired location of the ISOCASE for each light circuit.

DIMENSIONS AND CONFIGURATIONS

The ISOCASE structure is offered in 180 standard sizes and a multitude of configurations. When ordering, you can choose the type of glass, the number of glazed walls, the dimensions and the interior finishes.

The ISOCASE is always rectangular in shape and the facade is made up of a series of doors of the same dimensions all opening in the same direction, with the exception of the two-door configurations where the doors open like French doors.



GLASS TYPE

The ISOCASE is offered with the CAVEA glass envelope, specially designed for wine cellars. This glass structure, both insulating and waterproof, provides the conditions necessary for the preservation of the aging conditions and the proper functioning of the cooling system. It avoids all the problems associated with wine cellars made of 10 or 12mm glass, so popular in the early 2000s and which proved to be a disaster for both wine aging and cooling systems. Fortunately these days, this type of glass is no longer the norm and they are used in cellars with no cooling system. Customers should put great care in the selection of their glass. As the weakest point of the wine cellar, this is the component with the highest impact on the life span of the cooling system as well as the wine aging conditions.

CAVEA A61

The insulating glass panels are supported by a high-end 61mm anodized aluminum frame visible from the outside.

The CAVEA A61 gives you exceptional protection in a more economical package.



CAVEA ONE

Thanks to a state-of-the-art assembly method, the frame supporting the insulating glass panels is concealed under a subtle black serigraphy allowing the glass surface to be extended to the extremity.

The CAVEA ONE offers a completely glazed front for a modern and refined look, without any visible frame.



DOOR OPENINGS

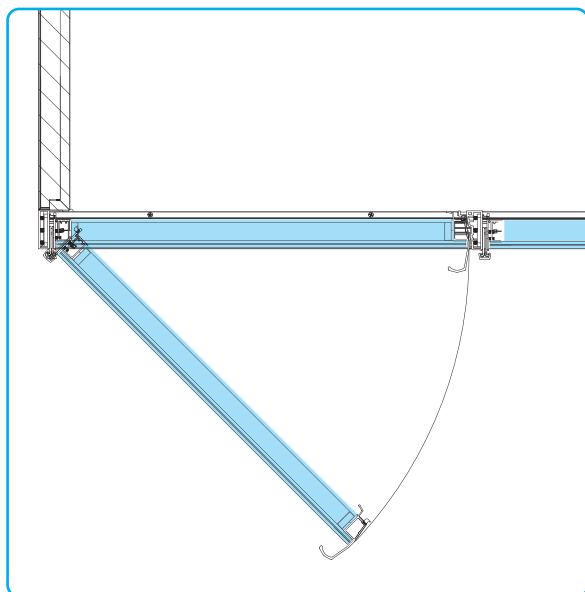
It is important to determine the door opening direction when planning a wine cellar, and to anticipate the ease of access considering the surrounding conditions.

For all configurations, each door in the system must open in the same direction, except for configurations with only two doors. These will open like French doors however only one of the doors will have a handle and will necessarily need to be opened first.

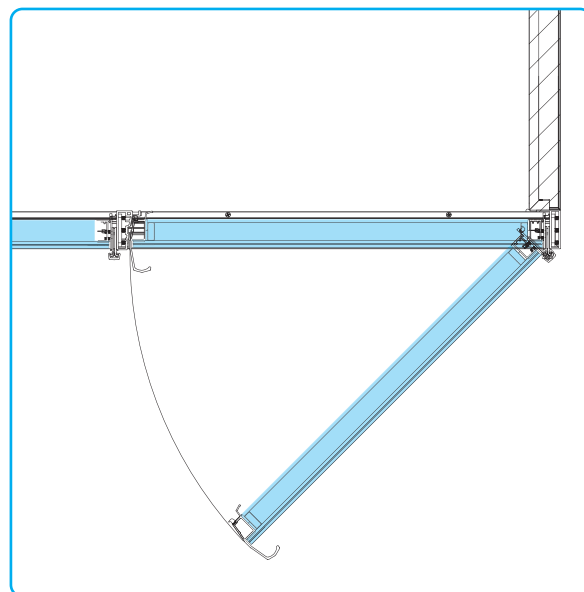
When ordering, the direction of the door is determined according to the side of the door hinge, and is referred to as a “left-hand” or “right-hand” swing.

See the diagram below for clarification.

LEFT-HAND SWING



RIGHT-HAND SWING



INTERIOR FINISH TYPE

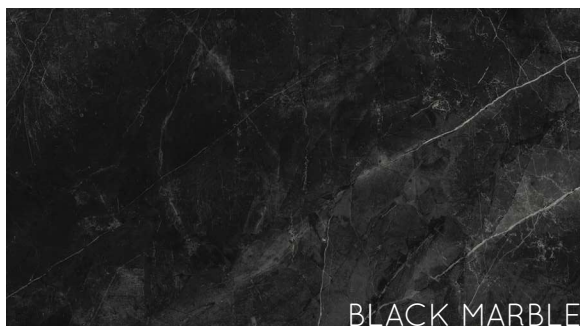
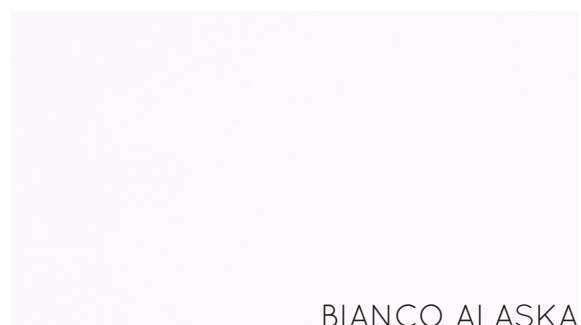
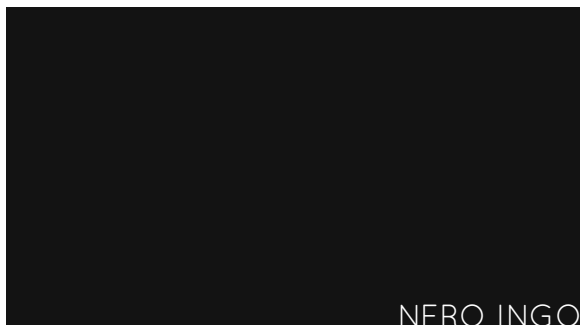
The ISOCASE comes with a variety of choices of interior finishes. If the desired finish is not listed, it is possible to order the enclosure with an unfinished interior and to apply your own custom finish, such as ceramic, veneer or gypsum. Digital cutting files are available to help you or your cabinetmaker incorporate the finish of your choice.

P- PLAIN

The envelope is delivered with the glass, the insulation and the wood blocking. You can then integrate the finish of your choice with a thickness of 5/8" to 1" (16 to 25mm).

L- LAMINATE

We offer a laminate interior covering made by the FENIX company in plain black or white. A premium imitation black or white marble is also available. Laminate is both highly impact and moisture resistant. It is easy to wash and has no odor.



W- WOOD

Interior covering in natural wood veneer protected by a varnish without volatile organic compound (VOC). Available in rift cut white oak veneer with 5% gloss finish, and plank cut walnut veneer with 25% gloss finish.



LIGHTS

The ISOCASE comes with “COB” type LED strips behind each door hinge and each corner post. These floor to ceiling light strips give uniform lighting to all the bottles.

LIGHTING SPECS

LIGHTS

Type: 6mm COB type LED strip
 Voltage: 24V
 Power: 6W/m
 Color: 3000K (Warm White)
 Dimmable: Yes

POWER SUPPLY

Power: 200W
 AC Power: 100~130VAC / 170-265VAC
 Protections: short circuit/overload/overcurrent
 Fully protected aluminum housing / IP67
 Free air convection cooling
 Compatible with Triac type dimmer

SPECIFICATIONS

The external measurements of the ISOCASE are the same, regardless of the configuration, whether it is a CAVEA A61 or a CAVEA ONE, and whether the side walls are glazed or not. However, in the event that the enclosure is delivered without an interior finish, the inside height will be 1.32" [34mm] greater and the inside depth 0.66" [17mm] deeper.

	Outside Height	Outside Width	Outside Depth	Inside Height	Inside Width	Inside Depth	Nb of Doors
...-83-36-18-...	83"[2108 mm]	36"[914 mm]	18"[457 mm]	76.27"[1937 mm]	31.68"[805 mm]	11.93"[303 mm]	1
...-83-48-18-...	83"[2108 mm]	48"[1219 mm]	18"[457 mm]	76.27"[1937 mm]	43.68"[1109 mm]	11.93"[303 mm]	2
...-83-54-18-...	83"[2108 mm]	54"[1372 mm]	18"[457 mm]	76.27"[1937 mm]	49.68"[1262 mm]	11.93"[303 mm]	2
...-83-60-18-...	83"[2108 mm]	60"[1524 mm]	18"[457 mm]	76.27"[1937 mm]	55.68"[1414 mm]	11.93"[303 mm]	2
...-83-64-18-...	83"[2108 mm]	64"[1626 mm]	18"[457 mm]	76.27"[1937 mm]	59.68"[1516 mm]	11.93"[303 mm]	2
...-83-70-18-...	83"[2108 mm]	70"[1778 mm]	18"[457 mm]	76.27"[1937 mm]	65.68"[1668 mm]	11.93"[303 mm]	2
...-83-73-18-...	83"[2108 mm]	73"[1854 mm]	18"[457 mm]	76.27"[1937 mm]	68.68"[1744 mm]	11.93"[303 mm]	3
...-83-82-18-...	83"[2108 mm]	82"[2083 mm]	18"[457 mm]	76.27"[1937 mm]	77.68"[1973 mm]	11.93"[303 mm]	3
...-83-91-18-...	83"[2108 mm]	91"[2311 mm]	18"[457 mm]	76.27"[1937 mm]	86.68"[2202 mm]	11.93"[303 mm]	3
...-83-97-18-...	83"[2108 mm]	97"[2464 mm]	18"[457 mm]	76.27"[1937 mm]	92.68"[2354 mm]	11.93"[303 mm]	3
...-83-106-18-...	83"[2108 mm]	106"[2692 mm]	18"[457 mm]	76.27"[1937 mm]	101.68"[2583 mm]	11.93"[303 mm]	3
...-83-109-18-...	83"[2108 mm]	109"[2769 mm]	18"[457 mm]	76.27"[1937 mm]	104.68"[2659 mm]	11.93"[303 mm]	4
...-83-121-18-...	83"[2108 mm]	121"[3073 mm]	18"[457 mm]	76.27"[1937 mm]	116.68"[2964 mm]	11.93"[303 mm]	4
...-83-129-18-...	83"[2108 mm]	129"[3277 mm]	18"[457 mm]	76.27"[1937 mm]	124.68"[3167 mm]	11.93"[303 mm]	4
...-83-149-18-...	83"[2108 mm]	149"[3785 mm]	18"[457 mm]	76.27"[1937 mm]	144.68"[3675 mm]	11.93"[303 mm]	4
...-83-36-24-...	83"[2108 mm]	36"[914 mm]	24"[610 mm]	76.27"[1937 mm]	31.68"[805 mm]	17.93"[455 mm]	1
...-83-48-24-...	83"[2108 mm]	48"[1219 mm]	24"[610 mm]	76.27"[1937 mm]	43.68"[1109 mm]	17.93"[455 mm]	2
...-83-54-24-...	83"[2108 mm]	54"[1372 mm]	24"[610 mm]	76.27"[1937 mm]	49.68"[1262 mm]	17.93"[455 mm]	2
...-83-60-24-...	83"[2108 mm]	60"[1524 mm]	24"[610 mm]	76.27"[1937 mm]	55.68"[1414 mm]	17.93"[455 mm]	2
...-83-64-24-...	83"[2108 mm]	64"[1626 mm]	24"[610 mm]	76.27"[1937 mm]	59.68"[1516 mm]	17.93"[455 mm]	2
...-83-70-24-...	83"[2108 mm]	70"[1778 mm]	24"[610 mm]	76.27"[1937 mm]	65.68"[1668 mm]	17.93"[455 mm]	2
...-83-73-24-...	83"[2108 mm]	73"[1854 mm]	24"[610 mm]	76.27"[1937 mm]	68.68"[1744 mm]	17.93"[455 mm]	3
...-83-82-24-...	83"[2108 mm]	82"[2083 mm]	24"[610 mm]	76.27"[1937 mm]	77.68"[1973 mm]	17.93"[455 mm]	3
...-83-91-24-...	83"[2108 mm]	91"[2311 mm]	24"[610 mm]	76.27"[1937 mm]	86.68"[2202 mm]	17.93"[455 mm]	3
...-83-97-24-...	83"[2108 mm]	97"[2464 mm]	24"[610 mm]	76.27"[1937 mm]	92.68"[2354 mm]	17.93"[455 mm]	3
...-83-106-24-...	83"[2108 mm]	106"[2692 mm]	24"[610 mm]	76.27"[1937 mm]	101.68"[2583 mm]	17.93"[455 mm]	3

	Outside Height	Outside Width	Outside Depth	Inside Height	Inside Width	Inside Depth	Nb of Doors
...-83-109-24-...	83"[2108 mm]	109"[2769 mm]	24"[610 mm]	76.27"[1937 mm]	104.68"[2659 mm]	17.93"[455 mm]	4
...-83-121-24-...	83"[2108 mm]	121"[3073 mm]	24"[610 mm]	76.27"[1937 mm]	116.68"[2964 mm]	17.93"[455 mm]	4
...-83-129-24-...	83"[2108 mm]	129"[3277 mm]	24"[610 mm]	76.27"[1937 mm]	124.68"[3167 mm]	17.93"[455 mm]	4
...-83-149-24-...	83"[2108 mm]	149"[3785 mm]	24"[610 mm]	76.27"[1937 mm]	144.68"[3675 mm]	17.93"[455 mm]	4
...-83-36-32-...	83"[2108 mm]	36"[914 mm]	32"[813 mm]	76.27"[1937 mm]	31.68"[805 mm]	25.93"[659 mm]	1
...-83-48-32-...	83"[2108 mm]	48"[1219 mm]	32"[813 mm]	76.27"[1937 mm]	43.68"[1109 mm]	25.93"[659 mm]	2
...-83-54-32-...	83"[2108 mm]	54"[1372 mm]	32"[813 mm]	76.27"[1937 mm]	49.68"[1262 mm]	25.93"[659 mm]	2
...-83-60-32-...	83"[2108 mm]	60"[1524 mm]	32"[813 mm]	76.27"[1937 mm]	55.68"[1414 mm]	25.93"[659 mm]	2
...-83-64-32-...	83"[2108 mm]	64"[1626 mm]	32"[813 mm]	76.27"[1937 mm]	59.68"[1516 mm]	25.93"[659 mm]	2
...-83-70-32-...	83"[2108 mm]	70"[1778 mm]	32"[813 mm]	76.27"[1937 mm]	65.68"[1668 mm]	25.93"[659 mm]	2
...-83-73-32-...	83"[2108 mm]	73"[1854 mm]	32"[813 mm]	76.27"[1937 mm]	68.68"[1744 mm]	25.93"[659 mm]	3
...-83-82-32-...	83"[2108 mm]	82"[2083 mm]	32"[813 mm]	76.27"[1937 mm]	77.68"[1973 mm]	25.93"[659 mm]	3
...-83-91-32-...	83"[2108 mm]	91"[2311 mm]	32"[813 mm]	76.27"[1937 mm]	86.68"[2202 mm]	25.93"[659 mm]	3
...-83-97-32-...	83"[2108 mm]	97"[2464 mm]	32"[813 mm]	76.27"[1937 mm]	92.68"[2354 mm]	25.93"[659 mm]	3
...-83-106-32-...	83"[2108 mm]	106"[2692 mm]	32"[813 mm]	76.27"[1937 mm]	101.68"[2583 mm]	25.93"[659 mm]	3
...-83-109-32-...	83"[2108 mm]	109"[2769 mm]	32"[813 mm]	76.27"[1937 mm]	104.68"[2659 mm]	25.93"[659 mm]	4
...-83-121-32-...	83"[2108 mm]	121"[3073 mm]	32"[813 mm]	76.27"[1937 mm]	116.68"[2964 mm]	25.93"[659 mm]	4
...-83-129-32-...	83"[2108 mm]	129"[3277 mm]	32"[813 mm]	76.27"[1937 mm]	124.68"[3167 mm]	25.93"[659 mm]	4
...-83-149-32-...	83"[2108 mm]	149"[3785 mm]	32"[813 mm]	76.27"[1937 mm]	144.68"[3675 mm]	25.93"[659 mm]	4
...-95-36-18-...	95"[2413 mm]	36"[914 mm]	18"[457 mm]	88.27"[2242 mm]	31.68"[805 mm]	11.93"[303 mm]	1
...-95-48-18-...	95"[2413 mm]	48"[1219 mm]	18"[457 mm]	88.27"[2242 mm]	43.68"[1109 mm]	11.93"[303 mm]	2
...-95-54-18-...	95"[2413 mm]	54"[1372 mm]	18"[457 mm]	88.27"[2242 mm]	49.68"[1262 mm]	11.93"[303 mm]	2
...-95-60-18-...	95"[2413 mm]	60"[1524 mm]	18"[457 mm]	88.27"[2242 mm]	55.68"[1414 mm]	11.93"[303 mm]	2
...-95-64-18-...	95"[2413 mm]	64"[1626 mm]	18"[457 mm]	88.27"[2242 mm]	59.68"[1516 mm]	11.93"[303 mm]	2
...-95-70-18-...	95"[2413 mm]	70"[1778 mm]	18"[457 mm]	88.27"[2242 mm]	65.68"[1668 mm]	11.93"[303 mm]	2
...-95-73-18-...	95"[2413 mm]	73"[1854 mm]	18"[457 mm]	88.27"[2242 mm]	68.68"[1744 mm]	11.93"[303 mm]	3
...-95-82-18-...	95"[2413 mm]	82"[2083 mm]	18"[457 mm]	88.27"[2242 mm]	77.68"[1973 mm]	11.93"[303 mm]	3
...-95-91-18-...	95"[2413 mm]	91"[2311 mm]	18"[457 mm]	88.27"[2242 mm]	86.68"[2202 mm]	11.93"[303 mm]	3
...-95-97-18-...	95"[2413 mm]	97"[2464 mm]	18"[457 mm]	88.27"[2242 mm]	92.68"[2354 mm]	11.93"[303 mm]	3
...-95-106-18-...	95"[2413 mm]	106"[2692 mm]	18"[457 mm]	88.27"[2242 mm]	101.68"[2583 mm]	11.93"[303 mm]	3
...-95-109-18-...	95"[2413 mm]	109"[2769 mm]	18"[457 mm]	88.27"[2242 mm]	104.68"[2659 mm]	11.93"[303 mm]	4
...-95-121-18-...	95"[2413 mm]	121"[3073 mm]	18"[457 mm]	88.27"[2242 mm]	116.68"[2964 mm]	11.93"[303 mm]	4
...-95-129-18-...	95"[2413 mm]	129"[3277 mm]	18"[457 mm]	88.27"[2242 mm]	124.68"[3167 mm]	11.93"[303 mm]	4
...-95-149-18-...	95"[2413 mm]	149"[3785 mm]	18"[457 mm]	88.27"[2242 mm]	144.68"[3675 mm]	11.93"[303 mm]	4
...-95-36-24-...	95"[2413 mm]	36"[914 mm]	24"[610 mm]	88.27"[2242 mm]	31.68"[805 mm]	17.93"[455 mm]	1
...-95-48-24-...	95"[2413 mm]	48"[1219 mm]	24"[610 mm]	88.27"[2242 mm]	43.68"[1109 mm]	17.93"[455 mm]	2
...-95-54-24-...	95"[2413 mm]	54"[1372 mm]	24"[610 mm]	88.27"[2242 mm]	49.68"[1262 mm]	17.93"[455 mm]	2

	Outside Height	Outside Width	Outside Depth	Inside Height	Inside Width	Inside Depth	Nb of Doors
...-95-60-24-...	95"[2413 mm]	60"[1524 mm]	24"[610 mm]	88.27"[2242 mm]	55.68"[1414 mm]	17.93"[455 mm]	2
...-95-64-24-...	95"[2413 mm]	64"[1626 mm]	24"[610 mm]	88.27"[2242 mm]	59.68"[1516 mm]	17.93"[455 mm]	2
...-95-70-24-...	95"[2413 mm]	70"[1778 mm]	24"[610 mm]	88.27"[2242 mm]	65.68"[1668 mm]	17.93"[455 mm]	2
...-95-73-24-...	95"[2413 mm]	73"[1854 mm]	24"[610 mm]	88.27"[2242 mm]	68.68"[1744 mm]	17.93"[455 mm]	3
...-95-82-24-...	95"[2413 mm]	82"[2083 mm]	24"[610 mm]	88.27"[2242 mm]	77.68"[1973 mm]	17.93"[455 mm]	3
...-95-91-24-...	95"[2413 mm]	91"[2311 mm]	24"[610 mm]	88.27"[2242 mm]	86.68"[2202 mm]	17.93"[455 mm]	3
...-95-97-24-...	95"[2413 mm]	97"[2464 mm]	24"[610 mm]	88.27"[2242 mm]	92.68"[2354 mm]	17.93"[455 mm]	3
...-95-106-24-...	95"[2413 mm]	106"[2692 mm]	24"[610 mm]	88.27"[2242 mm]	101.68"[2583 mm]	17.93"[455 mm]	3
...-95-109-24-...	95"[2413 mm]	109"[2769 mm]	24"[610 mm]	88.27"[2242 mm]	104.68"[2659 mm]	17.93"[455 mm]	4
...-95-121-24-...	95"[2413 mm]	121"[3073 mm]	24"[610 mm]	88.27"[2242 mm]	116.68"[2964 mm]	17.93"[455 mm]	4
...-95-129-24-...	95"[2413 mm]	129"[3277 mm]	24"[610 mm]	88.27"[2242 mm]	124.68"[3167 mm]	17.93"[455 mm]	4
...-95-149-24-...	95"[2413 mm]	149"[3785 mm]	24"[610 mm]	88.27"[2242 mm]	144.68"[3675 mm]	17.93"[455 mm]	4
...-95-36-32-...	95"[2413 mm]	36"[914 mm]	32"[813 mm]	88.27"[2242 mm]	31.68"[805 mm]	25.93"[659 mm]	1
...-95-48-32-...	95"[2413 mm]	48"[1219 mm]	32"[813 mm]	88.27"[2242 mm]	43.68"[1109 mm]	25.93"[659 mm]	2
...-95-54-32-...	95"[2413 mm]	54"[1372 mm]	32"[813 mm]	88.27"[2242 mm]	49.68"[1262 mm]	25.93"[659 mm]	2
...-95-60-32-...	95"[2413 mm]	60"[1524 mm]	32"[813 mm]	88.27"[2242 mm]	55.68"[1414 mm]	25.93"[659 mm]	2
...-95-64-32-...	95"[2413 mm]	64"[1626 mm]	32"[813 mm]	88.27"[2242 mm]	59.68"[1516 mm]	25.93"[659 mm]	2
...-95-70-32-...	95"[2413 mm]	70"[1778 mm]	32"[813 mm]	88.27"[2242 mm]	65.68"[1668 mm]	25.93"[659 mm]	2
...-95-73-32-...	95"[2413 mm]	73"[1854 mm]	32"[813 mm]	88.27"[2242 mm]	68.68"[1744 mm]	25.93"[659 mm]	3
...-95-82-32-...	95"[2413 mm]	82"[2083 mm]	32"[813 mm]	88.27"[2242 mm]	77.68"[1973 mm]	25.93"[659 mm]	3
...-95-91-32-...	95"[2413 mm]	91"[2311 mm]	32"[813 mm]	88.27"[2242 mm]	86.68"[2202 mm]	25.93"[659 mm]	3
...-95-97-32-...	95"[2413 mm]	97"[2464 mm]	32"[813 mm]	88.27"[2242 mm]	92.68"[2354 mm]	25.93"[659 mm]	3
...-95-106-32-...	95"[2413 mm]	106"[2692 mm]	32"[813 mm]	88.27"[2242 mm]	101.68"[2583 mm]	25.93"[659 mm]	3
...-95-109-32-...	95"[2413 mm]	109"[2769 mm]	32"[813 mm]	88.27"[2242 mm]	104.68"[2659 mm]	25.93"[659 mm]	4
...-95-121-32-...	95"[2413 mm]	121"[3073 mm]	32"[813 mm]	88.27"[2242 mm]	116.68"[2964 mm]	25.93"[659 mm]	4
...-95-129-32-...	95"[2413 mm]	129"[3277 mm]	32"[813 mm]	88.27"[2242 mm]	124.68"[3167 mm]	25.93"[659 mm]	4
...-95-149-32-...	95"[2413 mm]	149"[3785 mm]	32"[813 mm]	88.27"[2242 mm]	144.68"[3675 mm]	25.93"[659 mm]	4
...-107-36-18-...	107"[2718 mm]	36"[914 mm]	18"[457 mm]	100.27"[2547 mm]	31.68"[805 mm]	11.93"[303 mm]	1
...-107-48-18-...	107"[2718 mm]	48"[1219 mm]	18"[457 mm]	100.27"[2547 mm]	43.68"[1109 mm]	11.93"[303 mm]	2
...-107-54-18-...	107"[2718 mm]	54"[1372 mm]	18"[457 mm]	100.27"[2547 mm]	49.68"[1262 mm]	11.93"[303 mm]	2
...-107-60-18-...	107"[2718 mm]	60"[1524 mm]	18"[457 mm]	100.27"[2547 mm]	55.68"[1414 mm]	11.93"[303 mm]	2
...-107-64-18-...	107"[2718 mm]	64"[1626 mm]	18"[457 mm]	100.27"[2547 mm]	59.68"[1516 mm]	11.93"[303 mm]	2
...-107-70-18-...	107"[2718 mm]	70"[1778 mm]	18"[457 mm]	100.27"[2547 mm]	65.68"[1668 mm]	11.93"[303 mm]	2
...-107-73-18-...	107"[2718 mm]	73"[1854 mm]	18"[457 mm]	100.27"[2547 mm]	68.68"[1744 mm]	11.93"[303 mm]	3
...-107-82-18-...	107"[2718 mm]	82"[2083 mm]	18"[457 mm]	100.27"[2547 mm]	77.68"[1973 mm]	11.93"[303 mm]	3
...-107-91-18-...	107"[2718 mm]	91"[2311 mm]	18"[457 mm]	100.27"[2547 mm]	86.68"[2202 mm]	11.93"[303 mm]	3

	Outside Height	Outside Width	Outside Depth	Inside Height	Inside Width	Inside Depth	Nb of Doors
...-107-97-18-...	107"[2718 mm]	97"[2464 mm]	18"[457 mm]	100.27"[2547 mm]	92.68"[2354 mm]	11.93"[303 mm]	3
...-107-106-18-...	107"[2718 mm]	106"[2692 mm]	18"[457 mm]	100.27"[2547 mm]	101.68"[2583 mm]	11.93"[303 mm]	3
...-107-109-18-...	107"[2718 mm]	109"[2769 mm]	18"[457 mm]	100.27"[2547 mm]	104.68"[2659 mm]	11.93"[303 mm]	4
...-107-121-18-...	107"[2718 mm]	121"[3073 mm]	18"[457 mm]	100.27"[2547 mm]	116.68"[2964 mm]	11.93"[303 mm]	4
...-107-129-18-...	107"[2718 mm]	129"[3277 mm]	18"[457 mm]	100.27"[2547 mm]	124.68"[3167 mm]	11.93"[303 mm]	4
...-107-149-18-...	107"[2718 mm]	149"[3785 mm]	18"[457 mm]	100.27"[2547 mm]	144.68"[3675 mm]	11.93"[303 mm]	4
...-107-36-24-...	107"[2718 mm]	36"[914 mm]	24"[610 mm]	100.27"[2547 mm]	31.68"[805 mm]	17.93"[455 mm]	1
...-107-48-24-...	107"[2718 mm]	48"[1219 mm]	24"[610 mm]	100.27"[2547 mm]	43.68"[1109 mm]	17.93"[455 mm]	2
...-107-54-24-...	107"[2718 mm]	54"[1372 mm]	24"[610 mm]	100.27"[2547 mm]	49.68"[1262 mm]	17.93"[455 mm]	2
...-107-60-24-...	107"[2718 mm]	60"[1524 mm]	24"[610 mm]	100.27"[2547 mm]	55.68"[1414 mm]	17.93"[455 mm]	2
...-107-64-24-...	107"[2718 mm]	64"[1626 mm]	24"[610 mm]	100.27"[2547 mm]	59.68"[1516 mm]	17.93"[455 mm]	2
...-107-70-24-...	107"[2718 mm]	70"[1778 mm]	24"[610 mm]	100.27"[2547 mm]	65.68"[1668 mm]	17.93"[455 mm]	2
...-107-73-24-...	107"[2718 mm]	73"[1854 mm]	24"[610 mm]	100.27"[2547 mm]	68.68"[1744 mm]	17.93"[455 mm]	3
...-107-82-24-...	107"[2718 mm]	82"[2083 mm]	24"[610 mm]	100.27"[2547 mm]	77.68"[1973 mm]	17.93"[455 mm]	3
...-107-91-24-...	107"[2718 mm]	91"[2311 mm]	24"[610 mm]	100.27"[2547 mm]	86.68"[2202 mm]	17.93"[455 mm]	3
...-107-97-24-...	107"[2718 mm]	97"[2464 mm]	24"[610 mm]	100.27"[2547 mm]	92.68"[2354 mm]	17.93"[455 mm]	3
...-107-106-24-...	107"[2718 mm]	106"[2692 mm]	24"[610 mm]	100.27"[2547 mm]	101.68"[2583 mm]	17.93"[455 mm]	3
...-107-109-24-...	107"[2718 mm]	109"[2769 mm]	24"[610 mm]	100.27"[2547 mm]	104.68"[2659 mm]	17.93"[455 mm]	4
...-107-121-24-...	107"[2718 mm]	121"[3073 mm]	24"[610 mm]	100.27"[2547 mm]	116.68"[2964 mm]	17.93"[455 mm]	4
...-107-129-24-...	107"[2718 mm]	129"[3277 mm]	24"[610 mm]	100.27"[2547 mm]	124.68"[3167 mm]	17.93"[455 mm]	4
...-107-149-24-...	107"[2718 mm]	149"[3785 mm]	24"[610 mm]	100.27"[2547 mm]	144.68"[3675 mm]	17.93"[455 mm]	4
...-107-36-32-...	107"[2718 mm]	36"[914 mm]	32"[813 mm]	100.27"[2547 mm]	31.68"[805 mm]	25.93"[659 mm]	1
...-107-48-32-...	107"[2718 mm]	48"[1219 mm]	32"[813 mm]	100.27"[2547 mm]	43.68"[1109 mm]	25.93"[659 mm]	2
...-107-54-32-...	107"[2718 mm]	54"[1372 mm]	32"[813 mm]	100.27"[2547 mm]	49.68"[1262 mm]	25.93"[659 mm]	2
...-107-60-32-...	107"[2718 mm]	60"[1524 mm]	32"[813 mm]	100.27"[2547 mm]	55.68"[1414 mm]	25.93"[659 mm]	2
...-107-64-32-...	107"[2718 mm]	64"[1626 mm]	32"[813 mm]	100.27"[2547 mm]	59.68"[1516 mm]	25.93"[659 mm]	2
...-107-70-32-...	107"[2718 mm]	70"[1778 mm]	32"[813 mm]	100.27"[2547 mm]	65.68"[1668 mm]	25.93"[659 mm]	2
...-107-73-32-...	107"[2718 mm]	73"[1854 mm]	32"[813 mm]	100.27"[2547 mm]	68.68"[1744 mm]	25.93"[659 mm]	3
...-107-82-32-...	107"[2718 mm]	82"[2083 mm]	32"[813 mm]	100.27"[2547 mm]	77.68"[1973 mm]	25.93"[659 mm]	3
...-107-91-32-...	107"[2718 mm]	91"[2311 mm]	32"[813 mm]	100.27"[2547 mm]	86.68"[2202 mm]	25.93"[659 mm]	3
...-107-97-32-...	107"[2718 mm]	97"[2464 mm]	32"[813 mm]	100.27"[2547 mm]	92.68"[2354 mm]	25.93"[659 mm]	3
...-107-106-32-...	107"[2718 mm]	106"[2692 mm]	32"[813 mm]	100.27"[2547 mm]	101.68"[2583 mm]	25.93"[659 mm]	3
...-107-109-32-...	107"[2718 mm]	109"[2769 mm]	32"[813 mm]	100.27"[2547 mm]	104.68"[2659 mm]	25.93"[659 mm]	4
...-107-121-32-...	107"[2718 mm]	121"[3073 mm]	32"[813 mm]	100.27"[2547 mm]	116.68"[2964 mm]	25.93"[659 mm]	4
...-107-129-32-...	107"[2718 mm]	129"[3277 mm]	32"[813 mm]	100.27"[2547 mm]	124.68"[3167 mm]	25.93"[659 mm]	4
...-107-149-32-...	107"[2718 mm]	149"[3785 mm]	32"[813 mm]	100.27"[2547 mm]	144.68"[3675 mm]	25.93"[659 mm]	4

	Outside Height	Outside Width	Outside Depth	Inside Height	Inside Width	Inside Depth	Nb of Doors
...-119-36-18-...	119"[3023 mm]	36"[914 mm]	18"[457 mm]	112.27"[2852 mm]	31.68"[805 mm]	11.93"[303 mm]	1
...-119-48-18-...	119"[3023 mm]	48"[1219 mm]	18"[457 mm]	112.27"[2852 mm]	43.68"[1109 mm]	11.93"[303 mm]	2
...-119-54-18-...	119"[3023 mm]	54"[1372 mm]	18"[457 mm]	112.27"[2852 mm]	49.68"[1262 mm]	11.93"[303 mm]	2
...-119-60-18-...	119"[3023 mm]	60"[1524 mm]	18"[457 mm]	112.27"[2852 mm]	55.68"[1414 mm]	11.93"[303 mm]	2
...-119-64-18-...	119"[3023 mm]	64"[1626 mm]	18"[457 mm]	112.27"[2852 mm]	59.68"[1516 mm]	11.93"[303 mm]	2
...-119-70-18-...	119"[3023 mm]	70"[1778 mm]	18"[457 mm]	112.27"[2852 mm]	65.68"[1668 mm]	11.93"[303 mm]	2
...-119-73-18-...	119"[3023 mm]	73"[1854 mm]	18"[457 mm]	112.27"[2852 mm]	68.68"[1744 mm]	11.93"[303 mm]	3
...-119-82-18-...	119"[3023 mm]	82"[2083 mm]	18"[457 mm]	112.27"[2852 mm]	77.68"[1973 mm]	11.93"[303 mm]	3
...-119-91-18-...	119"[3023 mm]	91"[2311 mm]	18"[457 mm]	112.27"[2852 mm]	86.68"[2202 mm]	11.93"[303 mm]	3
...-119-97-18-...	119"[3023 mm]	97"[2464 mm]	18"[457 mm]	112.27"[2852 mm]	92.68"[2354 mm]	11.93"[303 mm]	3
...-119-106-18-...	119"[3023 mm]	106"[2692 mm]	18"[457 mm]	112.27"[2852 mm]	101.68"[2583 mm]	11.93"[303 mm]	3
...-119-109-18-...	119"[3023 mm]	109"[2769 mm]	18"[457 mm]	112.27"[2852 mm]	104.68"[2659 mm]	11.93"[303 mm]	4
...-119-121-18-...	119"[3023 mm]	121"[3073 mm]	18"[457 mm]	112.27"[2852 mm]	116.68"[2964 mm]	11.93"[303 mm]	4
...-119-129-18-...	119"[3023 mm]	129"[3277 mm]	18"[457 mm]	112.27"[2852 mm]	124.68"[3167 mm]	11.93"[303 mm]	4
...-119-149-18-...	119"[3023 mm]	149"[3785 mm]	18"[457 mm]	112.27"[2852 mm]	144.68"[3675 mm]	11.93"[303 mm]	4
...-119-36-24-...	119"[3023 mm]	36"[914 mm]	24"[610 mm]	112.27"[2852 mm]	31.68"[805 mm]	17.93"[455 mm]	1
...-119-48-24-...	119"[3023 mm]	48"[1219 mm]	24"[610 mm]	112.27"[2852 mm]	43.68"[1109 mm]	17.93"[455 mm]	2
...-119-54-24-...	119"[3023 mm]	54"[1372 mm]	24"[610 mm]	112.27"[2852 mm]	49.68"[1262 mm]	17.93"[455 mm]	2
...-119-60-24-...	119"[3023 mm]	60"[1524 mm]	24"[610 mm]	112.27"[2852 mm]	55.68"[1414 mm]	17.93"[455 mm]	2
...-119-64-24-...	119"[3023 mm]	64"[1626 mm]	24"[610 mm]	112.27"[2852 mm]	59.68"[1516 mm]	17.93"[455 mm]	2
...-119-70-24-...	119"[3023 mm]	70"[1778 mm]	24"[610 mm]	112.27"[2852 mm]	65.68"[1668 mm]	17.93"[455 mm]	2
...-119-73-24-...	119"[3023 mm]	73"[1854 mm]	24"[610 mm]	112.27"[2852 mm]	68.68"[1744 mm]	17.93"[455 mm]	3
...-119-82-24-...	119"[3023 mm]	82"[2083 mm]	24"[610 mm]	112.27"[2852 mm]	77.68"[1973 mm]	17.93"[455 mm]	3
...-119-91-24-...	119"[3023 mm]	91"[2311 mm]	24"[610 mm]	112.27"[2852 mm]	86.68"[2202 mm]	17.93"[455 mm]	3
...-119-97-24-...	119"[3023 mm]	97"[2464 mm]	24"[610 mm]	112.27"[2852 mm]	92.68"[2354 mm]	17.93"[455 mm]	3
...-119-106-24-...	119"[3023 mm]	106"[2692 mm]	24"[610 mm]	112.27"[2852 mm]	101.68"[2583 mm]	17.93"[455 mm]	3
...-119-109-24-...	119"[3023 mm]	109"[2769 mm]	24"[610 mm]	112.27"[2852 mm]	104.68"[2659 mm]	17.93"[455 mm]	4
...-119-121-24-...	119"[3023 mm]	121"[3073 mm]	24"[610 mm]	112.27"[2852 mm]	116.68"[2964 mm]	17.93"[455 mm]	4
...-119-129-24-...	119"[3023 mm]	129"[3277 mm]	24"[610 mm]	112.27"[2852 mm]	124.68"[3167 mm]	17.93"[455 mm]	4
...-119-149-24-...	119"[3023 mm]	149"[3785 mm]	24"[610 mm]	112.27"[2852 mm]	144.68"[3675 mm]	17.93"[455 mm]	4
...-119-36-32-...	119"[3023 mm]	36"[914 mm]	32"[813 mm]	112.27"[2852 mm]	31.68"[805 mm]	25.93"[659 mm]	1
...-119-48-32-...	119"[3023 mm]	48"[1219 mm]	32"[813 mm]	112.27"[2852 mm]	43.68"[1109 mm]	25.93"[659 mm]	2
...-119-54-32-...	119"[3023 mm]	54"[1372 mm]	32"[813 mm]	112.27"[2852 mm]	49.68"[1262 mm]	25.93"[659 mm]	2
...-119-60-32-...	119"[3023 mm]	60"[1524 mm]	32"[813 mm]	112.27"[2852 mm]	55.68"[1414 mm]	25.93"[659 mm]	2
...-119-64-32-...	119"[3023 mm]	64"[1626 mm]	32"[813 mm]	112.27"[2852 mm]	59.68"[1516 mm]	25.93"[659 mm]	2
...-119-70-32-...	119"[3023 mm]	70"[1778 mm]	32"[813 mm]	112.27"[2852 mm]	65.68"[1668 mm]	25.93"[659 mm]	2

	Outside Height	Outside Width	Outside Depth	Inside Height	Inside Width	Inside Depth	Nb of Doors
...-119-73-32-...	119"[3023 mm]	73"[1854 mm]	32"[813 mm]	112.27"[2852 mm]	68.68"[1744 mm]	25.93"[659 mm]	3
...-119-82-32-...	119"[3023 mm]	82"[2083 mm]	32"[813 mm]	112.27"[2852 mm]	77.68"[1973 mm]	25.93"[659 mm]	3
...-119-91-32-...	119"[3023 mm]	91"[2311 mm]	32"[813 mm]	112.27"[2852 mm]	86.68"[2202 mm]	25.93"[659 mm]	3
...-119-97-32-...	119"[3023 mm]	97"[2464 mm]	32"[813 mm]	112.27"[2852 mm]	92.68"[2354 mm]	25.93"[659 mm]	3
...-119-106-32-...	119"[3023 mm]	106"[2692 mm]	32"[813 mm]	112.27"[2852 mm]	101.68"[2583 mm]	25.93"[659 mm]	3
...-119-109-32-...	119"[3023 mm]	109"[2769 mm]	32"[813 mm]	112.27"[2852 mm]	104.68"[2659 mm]	25.93"[659 mm]	4
...-119-121-32-...	119"[3023 mm]	121"[3073 mm]	32"[813 mm]	112.27"[2852 mm]	116.68"[2964 mm]	25.93"[659 mm]	4
...-119-129-32-...	119"[3023 mm]	129"[3277 mm]	32"[813 mm]	112.27"[2852 mm]	124.68"[3167 mm]	25.93"[659 mm]	4
...-119-149-32-...	119"[3023 mm]	149"[3785 mm]	32"[813 mm]	112.27"[2852 mm]	144.68"[3675 mm]	25.93"[659 mm]	4

COOLING NEEDS

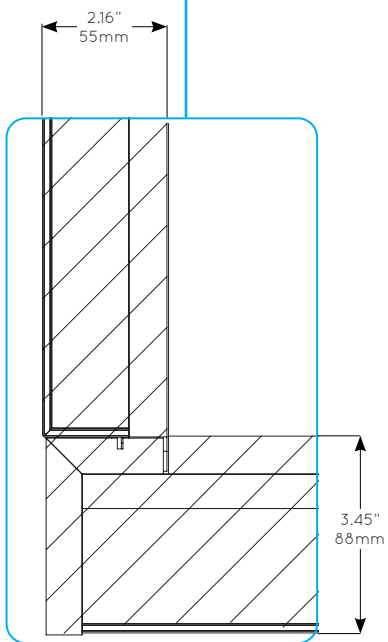
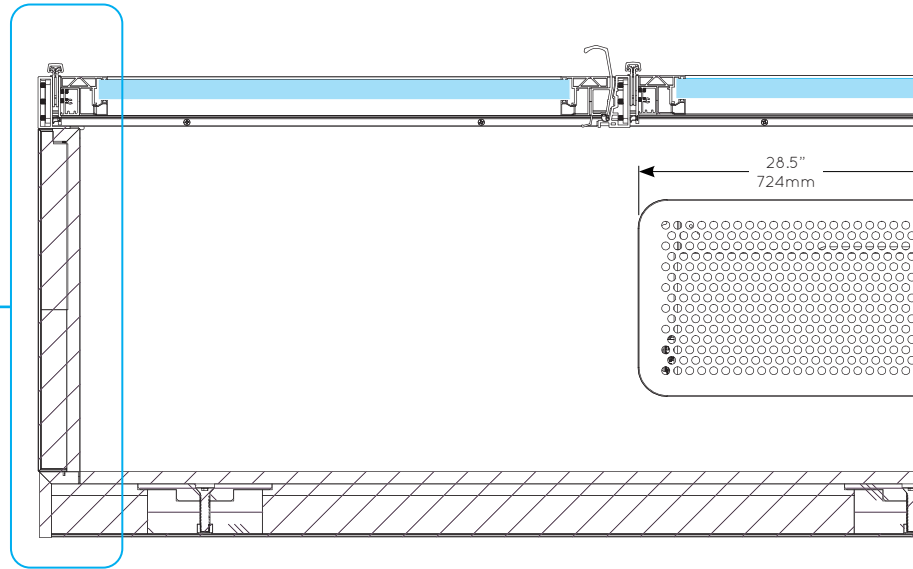
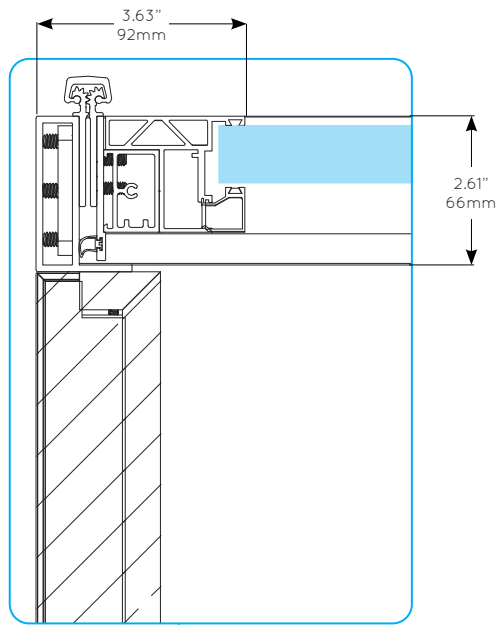
The demand for cooling varies according to the desired temperature inside the cellar as well as the temperature outside the wine cellar. You will find below cooling requirements under normal conditions:

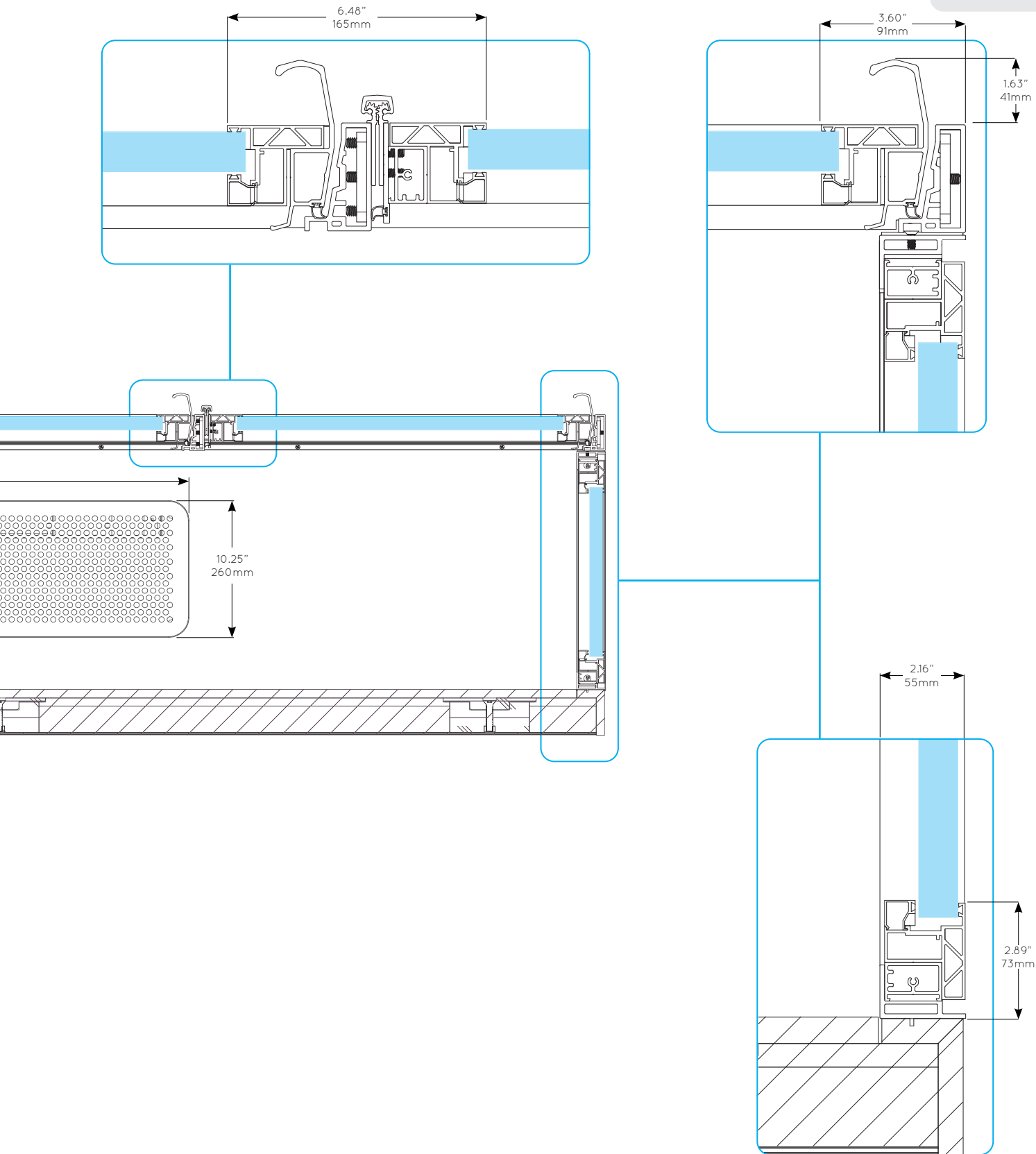
Inside the wine cellar between **55°F [12.5°C] and 65°F [18.5°C]**
Outside the wine cellar between **68°F [20°C] and 75°F [24°C]**

Number of doors	Quantity of diffusers (RC4)	Cooling Power	CUBE-LT	CUBE°
1	1	512 Btu/h [150W]	1	400W
2	1	770 Btu/h [225W]	1	400W
3	1	1024 Btu/h [300W]	1	400W
4	2	1194 Btu/h [350W]	1	400W

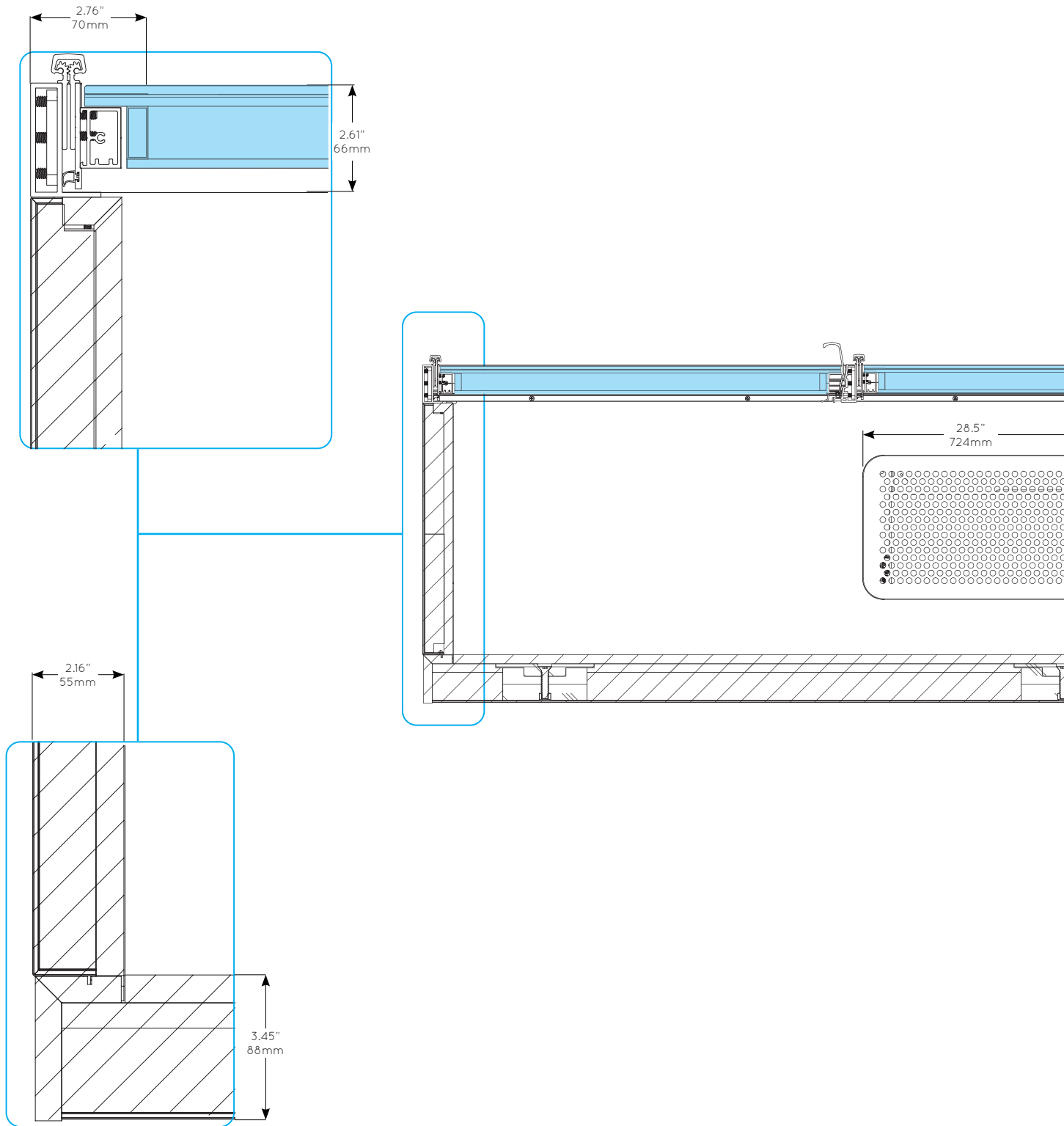
Visit www.thewinesquare.com for more details on the cooling systems compatible with the ISOCASE. You can also contact your The Wine Square representative or send a request to info@thewinesquare.com.

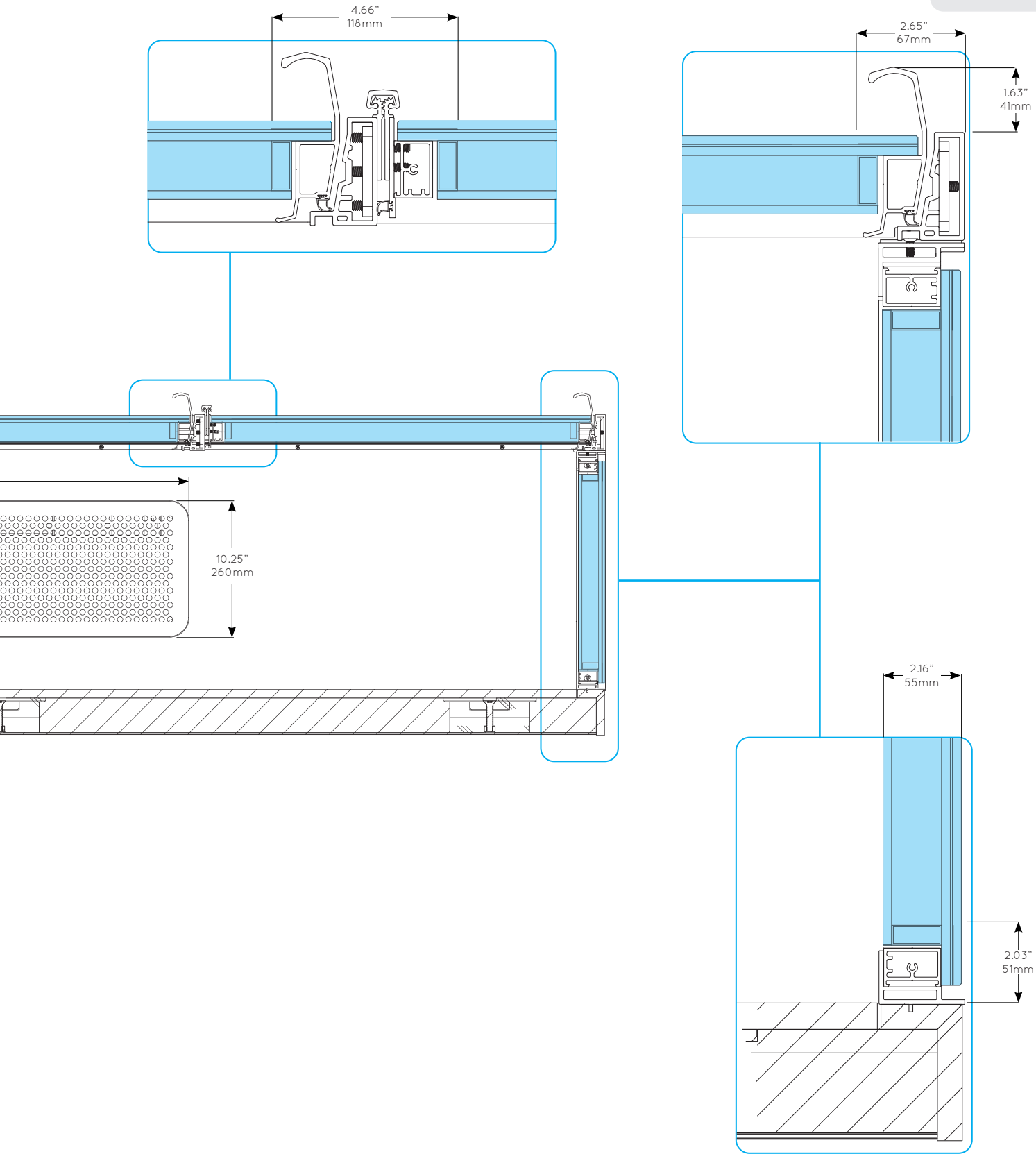
ISOCASE - CAVEA A61





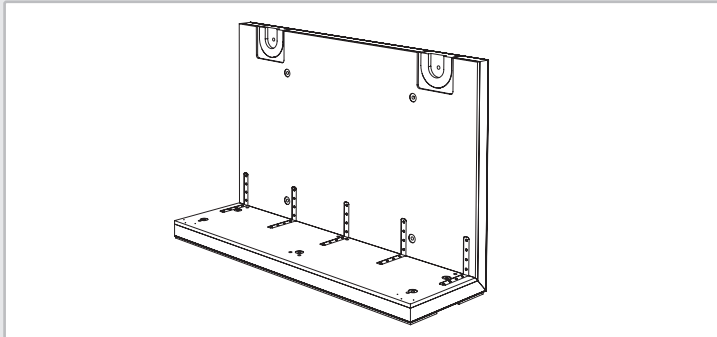
ISOCASE - CAVEA ONE





SYSTEM COMPONENTS

TWS-ISOCASE-A001 : BASE STRUCTURE

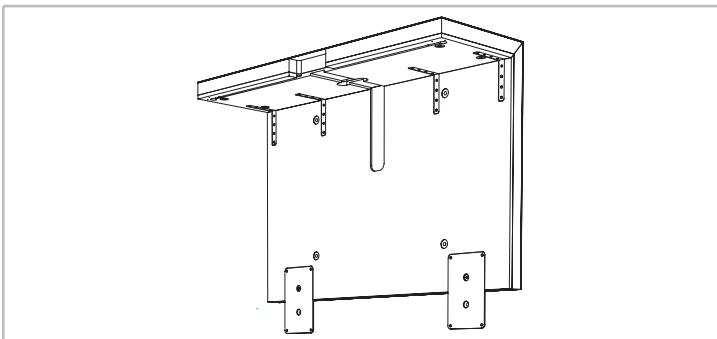


Base of the structure made of insulating panels. The base contains the adjustable legs used to level the system.

Qty/Nb doors

1	1	1	2
<small>1 door</small>	<small>2 doors</small>	<small>3 doors</small>	<small>4 doors</small>

TWS-ISOCASE-A002 : CEILING STRUCTURE

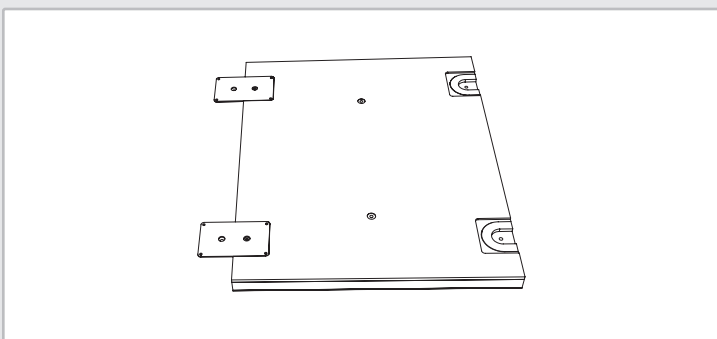


Ceiling of the structure made of insulating panels. The ceiling has an opening to facilitate the passage of the pipes for the cooling system and the power supply for the lights. Notches in the panel facilitate the passage of the power supply wires for the lights.

Qty/Nb doors

1	1	1	2
<small>1 door</small>	<small>2 doors</small>	<small>3 doors</small>	<small>4 doors</small>

TWS-ISOCASE-A003 : MID-SECTION STRUCTURE

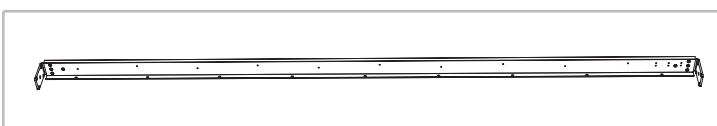


Mid-Section of the structure made of insulating panels.

Qty/Nb doors

1	1	1	2
<small>1 door</small>	<small>2 doors</small>	<small>3 doors</small>	<small>4 doors</small>

TWS-CAVEA-A001,2,3 : CAVEA POST

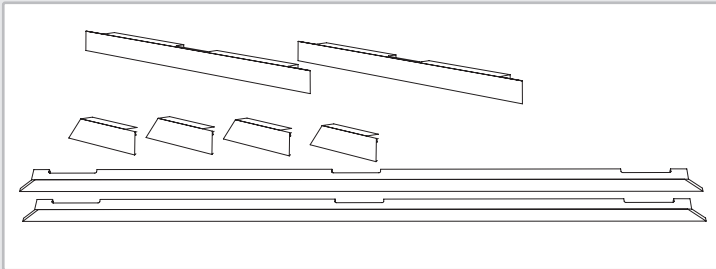


CAVEA post used to fix the doors of the system. Three configurations available (hinge, strike, between two doors).

Qty/Nb doors

2	2	4	5
<small>1 door</small>	<small>2 doors</small>	<small>3 doors</small>	<small>4 doors</small>

TWS-CAPPING-0001,2,3,4 : CAPPING

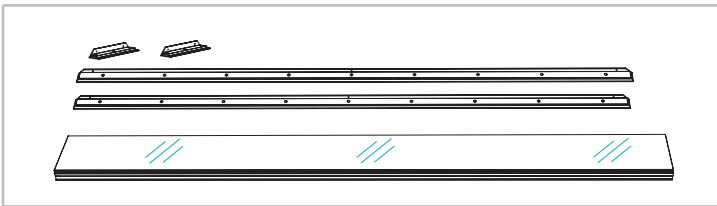


MDF capping piece concealing the top and bottom thicknesses of the structure. Generally painted to match the color of the adjacent ceiling or walls at the top, and covered with a matte black laminate (imitating the aluminum of the CAVEA) at the base.

Qty/Nb doors

8	8	8	10
<small>1 door</small>	<small>2 doors</small>	<small>3 doors</small>	<small>4 doors</small>

TWS-CAVEA-0010,11,FIXE : CAVEA FIXED PANEL

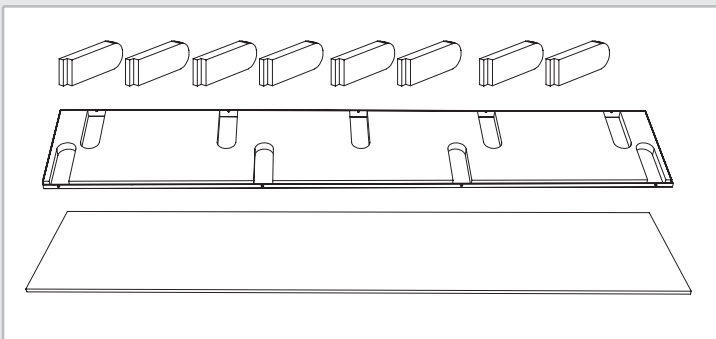


CAVEA side panel. Depending on the cellar configuration, this panel can be replaced by the opaque side panel. Available in A61 and ONE.

Qty/Configuration

0	1	1	2
<small>S-L/R-S</small>	<small>G-L/R-S</small>	<small>S-L/R-G</small>	<small>G-L/R-G</small>

TWS-PANEL-0014,STD01,0004 : OPAQUE SIDE PANEL

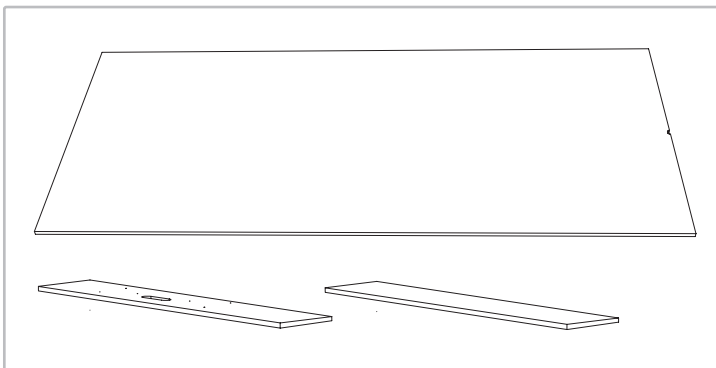


Opaque side panel. Depending on the cellar configuration, this panel can be replaced by the Cavea fixed panel. Available in laminate, wood veneer or Russian plywood.

Qty/Configuration

2	1	1	0
<small>S-L/R-S</small>	<small>G-L/R-S</small>	<small>S-L/R-G</small>	<small>G-L/R-G</small>

TWS-FINITION-0001,2,3 : FINISHING PANELS

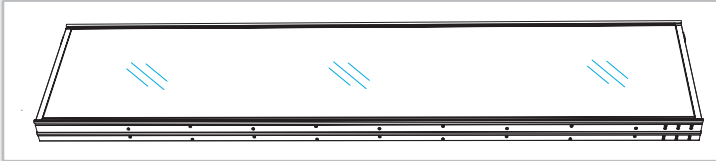


Wine cellar interior finish panels. When the cellar is chosen with the P-PLAIN configuration, these components are not present (digital drawings of the parts are available). The rear panel is made in two pieces when the cellar is more than 60" wide. A horizontal joint in the finish will then be present at the mid-height of the wine cellar.

Qty/Nb doors

3	3	4	6
<small>1 door</small>	<small>2 doors</small>	<small>3 doors</small>	<small>4 doors</small>

TWS-CAVEA-DOOR : DOOR

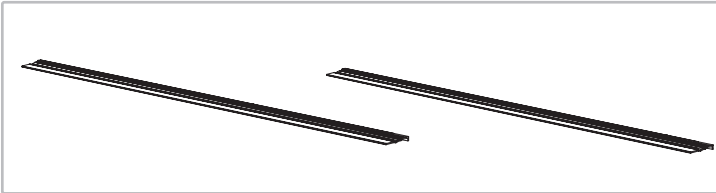


Wine cellar door, available in CAVEA-A61 and CAVEA-ONE.

Qty/Nb doors

1	2	3	4
<small>1 door</small>	<small>2 doors</small>	<small>3 doors</small>	<small>4 doors</small>

TWS-CAVEA-0002 : DOOR THRESHOLD



CAVEA door threshold.

Qty/Nb doors

2	2	6	8
<small>1 door</small>	<small>2 doors</small>	<small>3 doors</small>	<small>4 doors</small>

TWS-ISOCASE-H0001 : HARDWARE



Hardware box for assembling ISOCASE and CAVEA.

Qty/Nb doors

1	1	1	2
<small>1 door</small>	<small>2 doors</small>	<small>3 doors</small>	<small>4 doors</small>

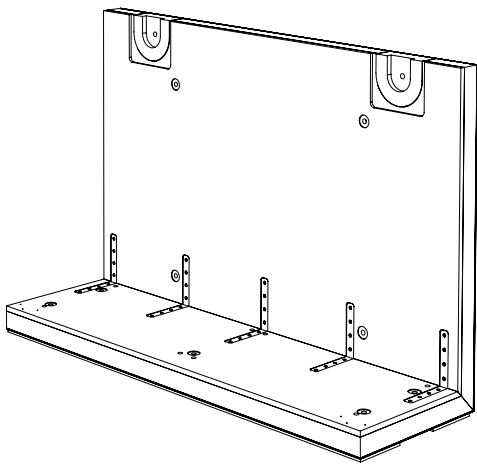
ASSEMBLY INSTRUCTIONS

The assembly of the ISOCASE is very simple and usually requires between one and three hours of installation for two people, depending on the experience of the installers and the size of the wine cellar. The key to a hassle-free installation is to properly level and square the enclosure using a laser level. It is also important to anchor the wine cellar to the building once the structure has been leveled.

Tools needed:

- Laser level
- 5/16" Allen key
- Impact screwdriver with #2 philips bit
- Flat head screwdriver
- Minimum 8" Suction cups for glass

1- Base Location

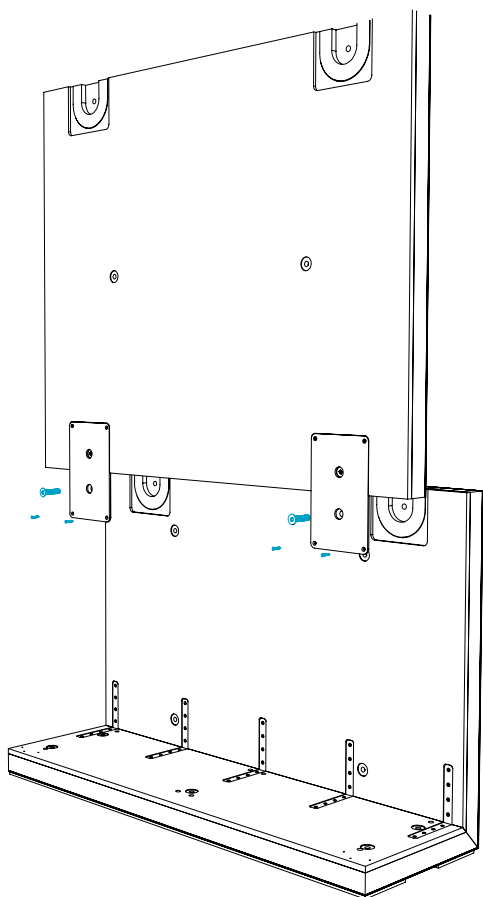


Position the bottom panel of the wine cellar in the right location in the building.

2- Intermediate Section Assembly

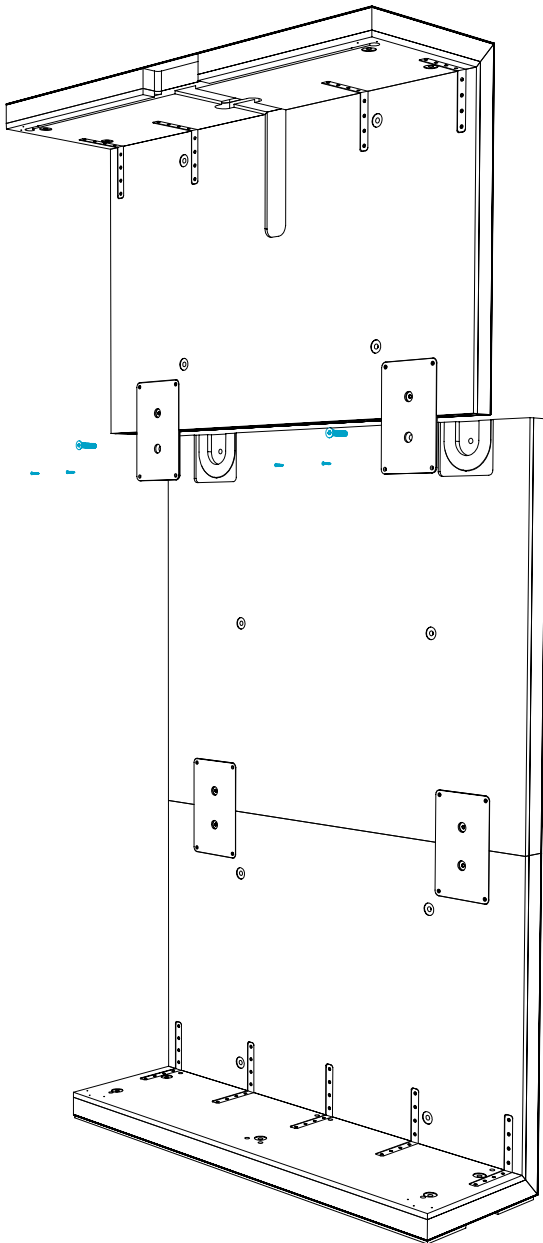
Position the middle section over the bottom section and secure with the 1/2" machine screws, 2-1/4" long using a 5/16" Allen key.

Use the 1" wood screws to fix the panels together in the pre-drilled holes.



3-Upper Section Assembly

Position the top section over the middle section and secure with the 1/2" x 2-1/4" long machine screw using a 5/16" Allen key.

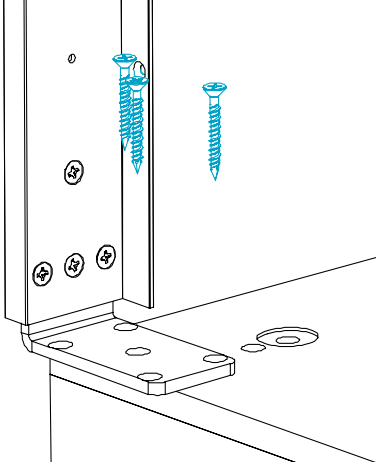
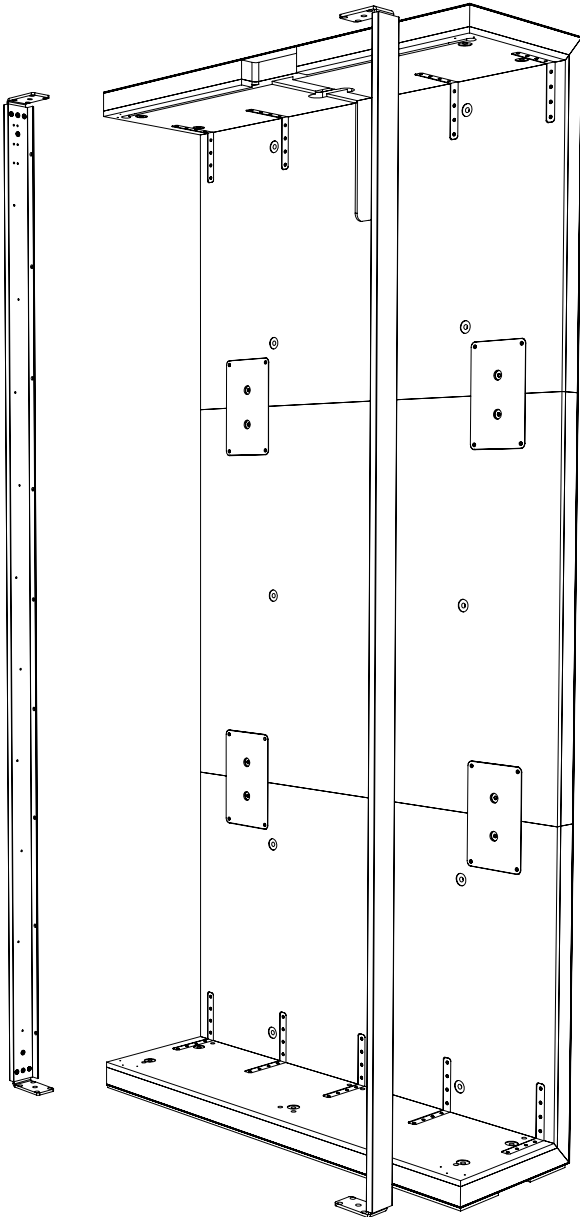


Use the 1" wood screws to fix the panels together in the pre-drilled holes.

4- Post Assembly

Place the posts over the pre-drilled holes at the edge of the floor and ceiling panels.

Use the #12 wood screws to secure the posts in place.

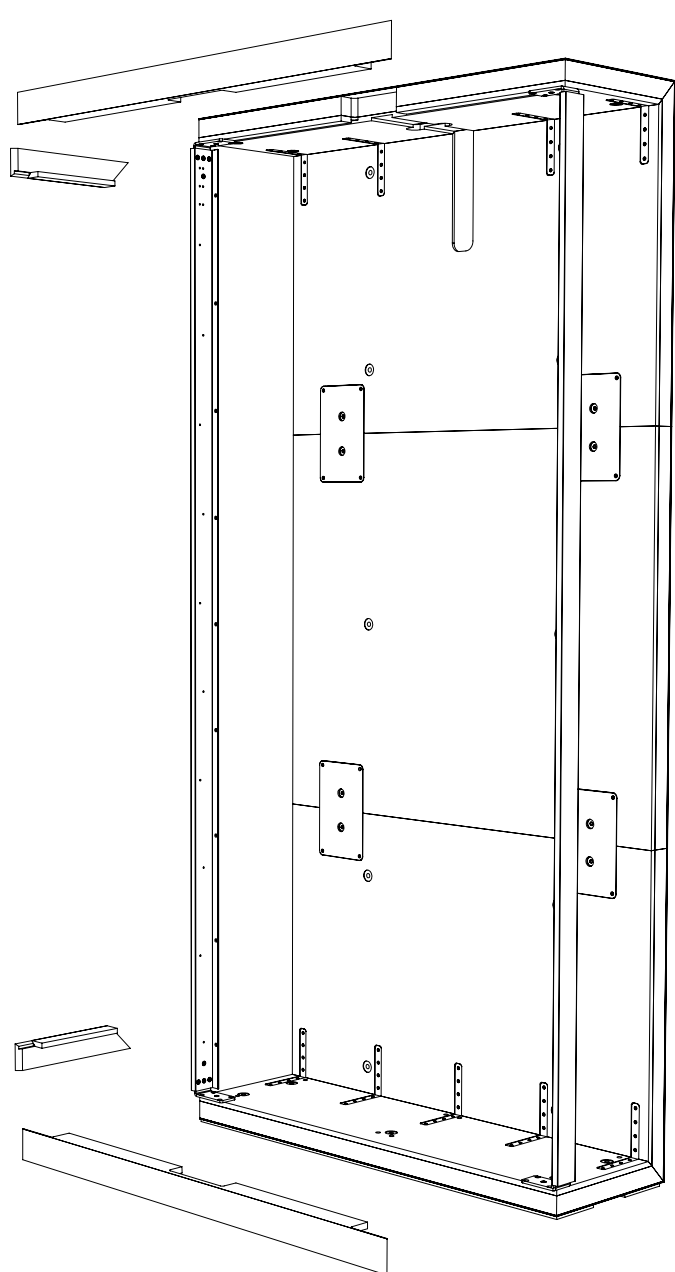



It is normal to have two unused holes per post and outside the structure.

To facilitate the installation of the capping, install the screws but tighten them after installing them.

5- Capping Assembly and Anchoring to the Building

Fasten the MDF capping to the structure with the 1" wood screws. Screw every 12" on the interior section of the capping. Do not put screws on the exterior face. If you have black and white pieces, the black section goes on the base and the white on top.

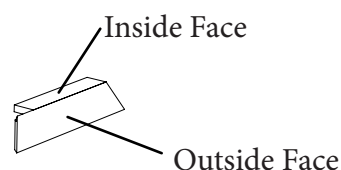
Level the structure using the leveling feet in the base of the structure. They can be adjusted with a flat head screwdriver.

When the base is level, anchor it to the building with 5" wood screws through the floor of the structure. Add at least one screw every 12".

Anchor the rear wall to the building by adding a 5" wood screw at the top of the rear wall (last 12" from the top) in each stud available on the wall behind the cellar. During this step, check with the laser that the unit is level in each axis. Use shims between the wall and the structure if necessary.

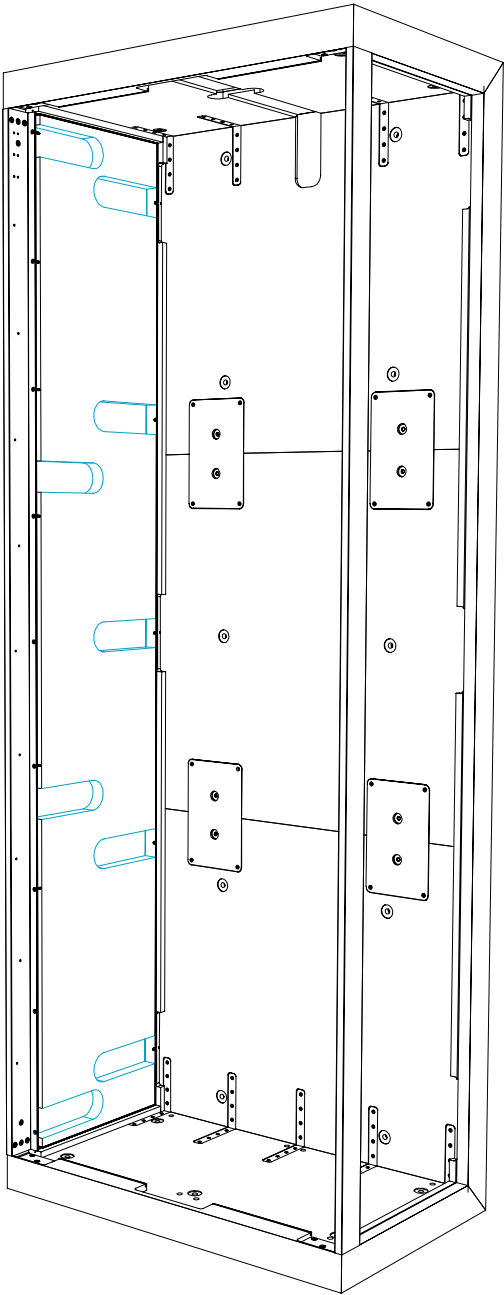


In new constructions, the installation can be stopped after this step. The link between the MDF capping and the gypsum can be plastered and painted with the rest of the house. Be sure to protect the posts.



6A- Opaque Side Panel Installation - Step 1

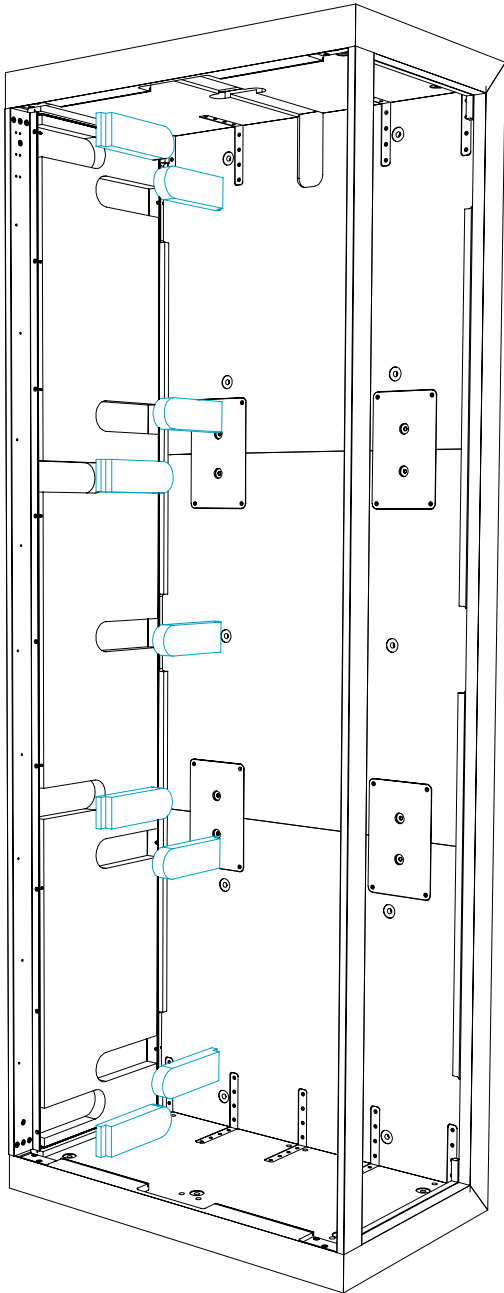
Install the side panel of the structure. Use the 2" wood screws to fasten the panel to the structure, and use the mechanical screws to fasten the panel to the posts. Use the cavities provided for this purpose.



The exterior of the side panel must be flush with the exterior side of the post.

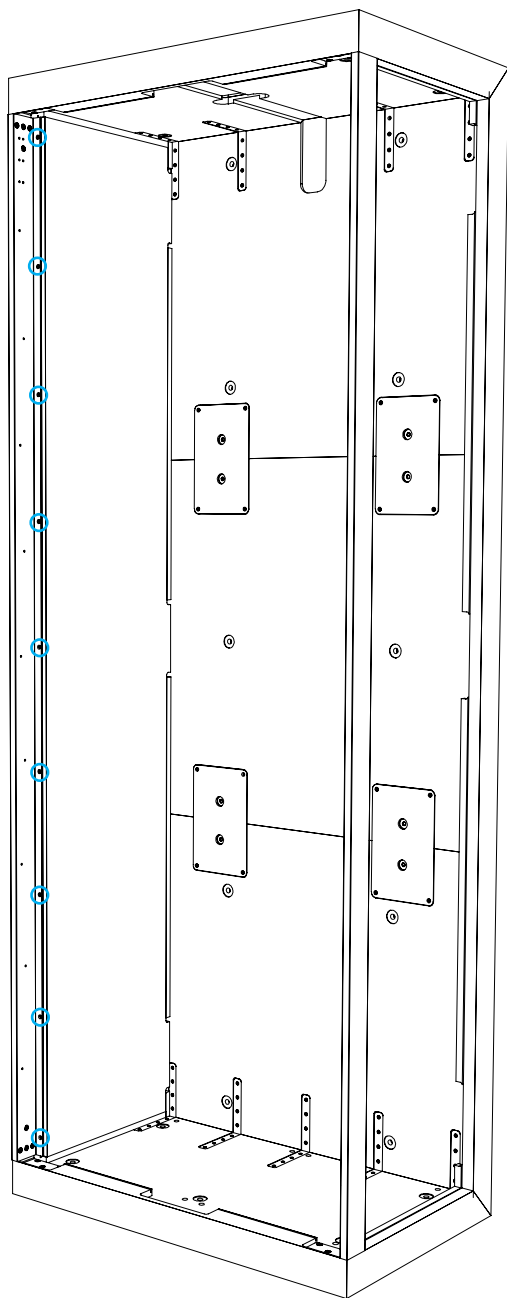
6A- Opaque Side Panel Installation - Step 2

Install the insulating foam inserts in the cavities that had been provided for the installation of the panel fixing screws.



6A- Opaque Side Panel Installation - Step 3

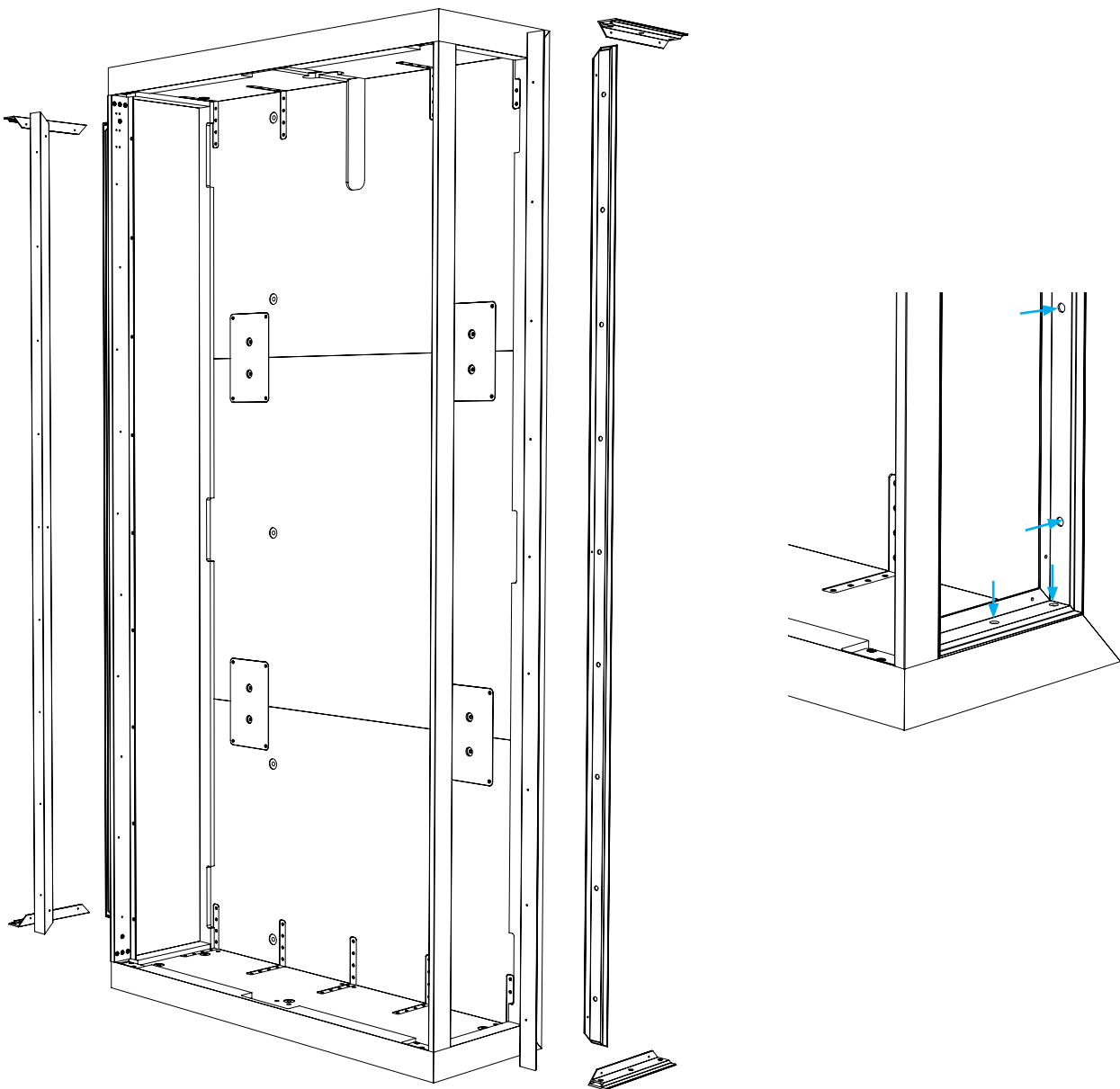
Install the side finished panel and secure it in place at the front with 1" wood screws, using the corner post clearance holes.



Paint the screw heads once in place with the bottle of black touch-up paint, supplied with the ISOCASE.

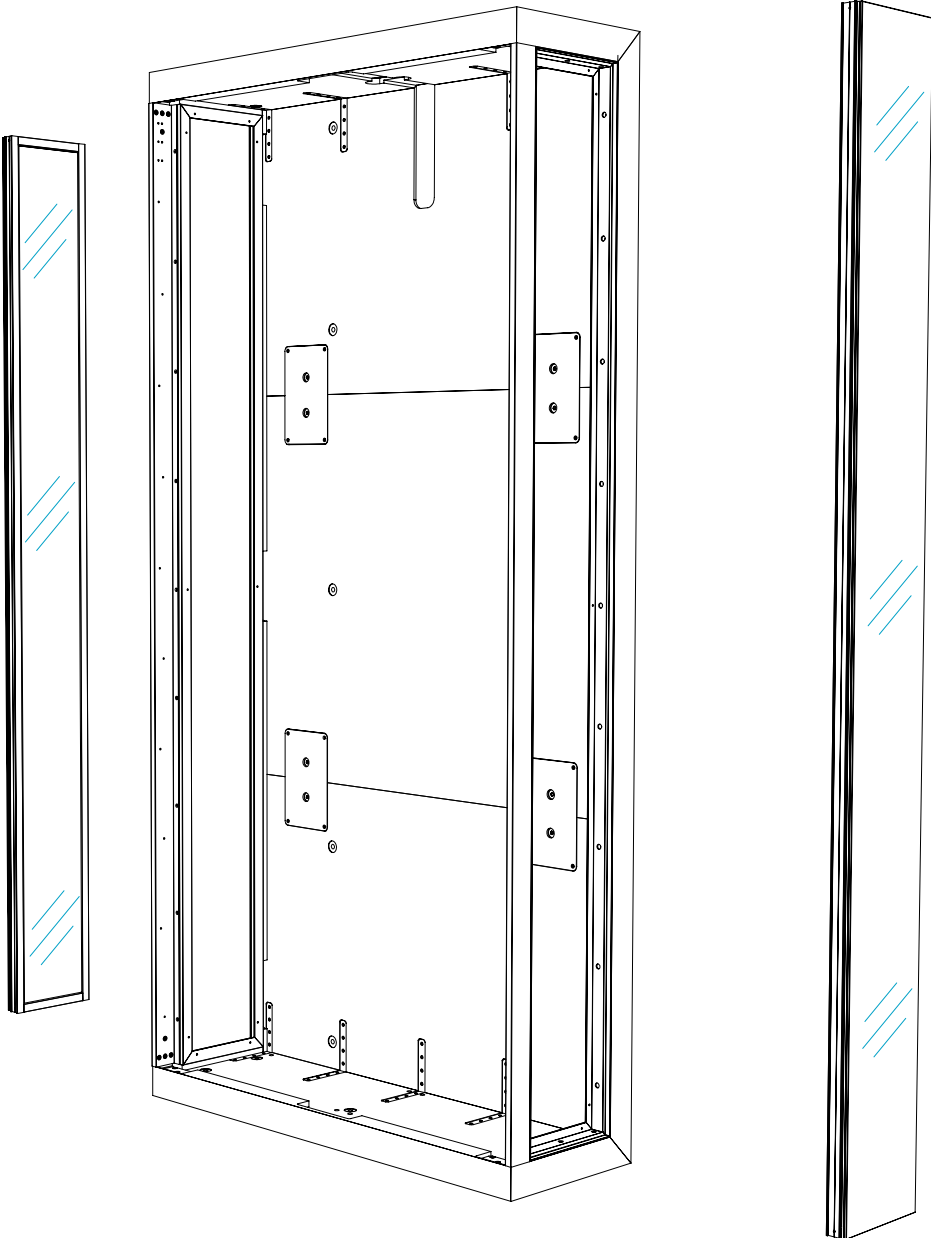
6B- Glass Fixed Panel Assembly - Step 1

Install the Cavea aluminum extrusion on the side wall of the structure. Use the 2" wood screws to attach the extrusion to the structure and use the machine screws to attach the extrusion against the posts.



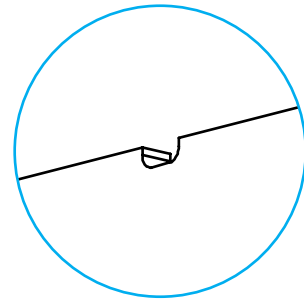
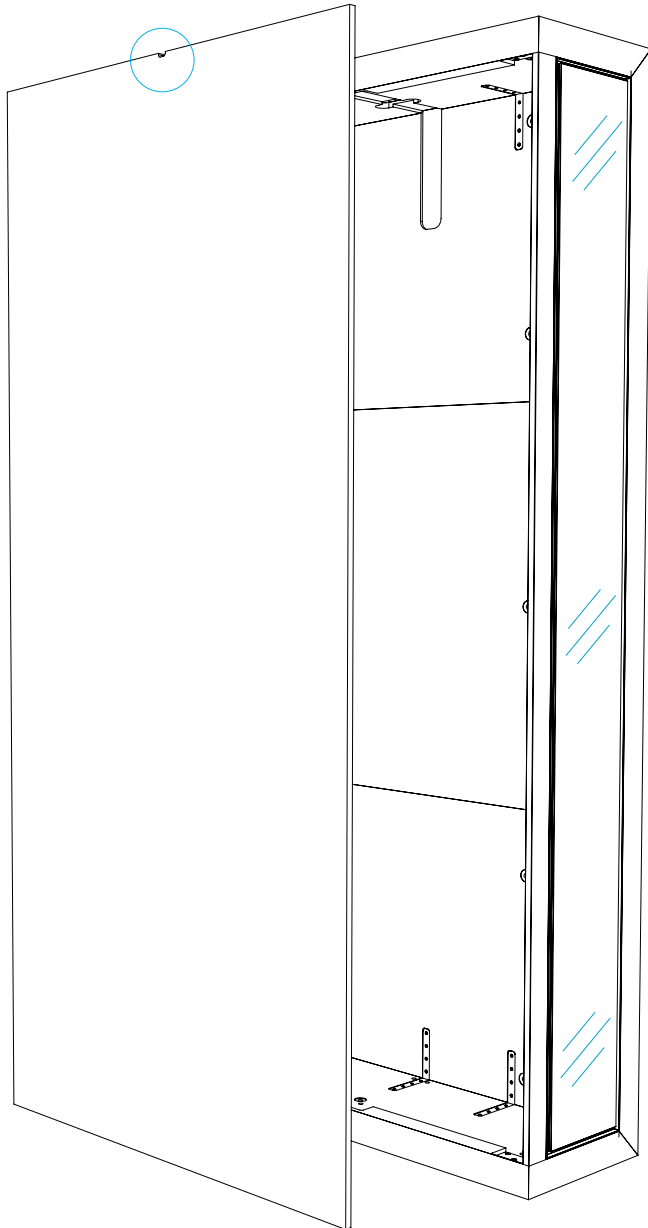
6B- Glass Fixed Panel Assembly - Step 2

Carefully position the Cavea panel into the opening and fix it from the inside with the self-drilling screws. Add a screw for each pre-drilled hole.

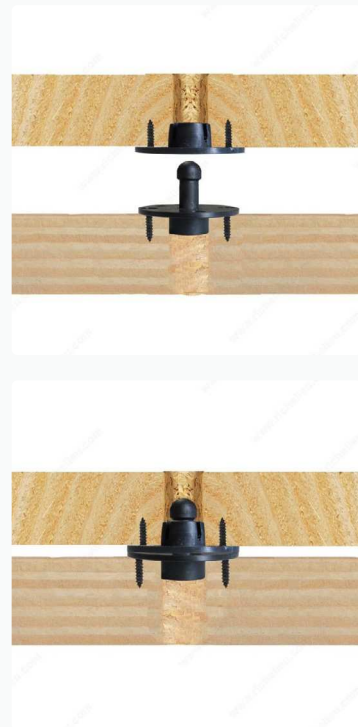


7- Rear Wall Finishing Panel Installation

Slide the back panel into place ensuring the square notch is at the top. Use the suction cups to move the panel. Push firmly on each mounting clip to make sure they are all engaged.

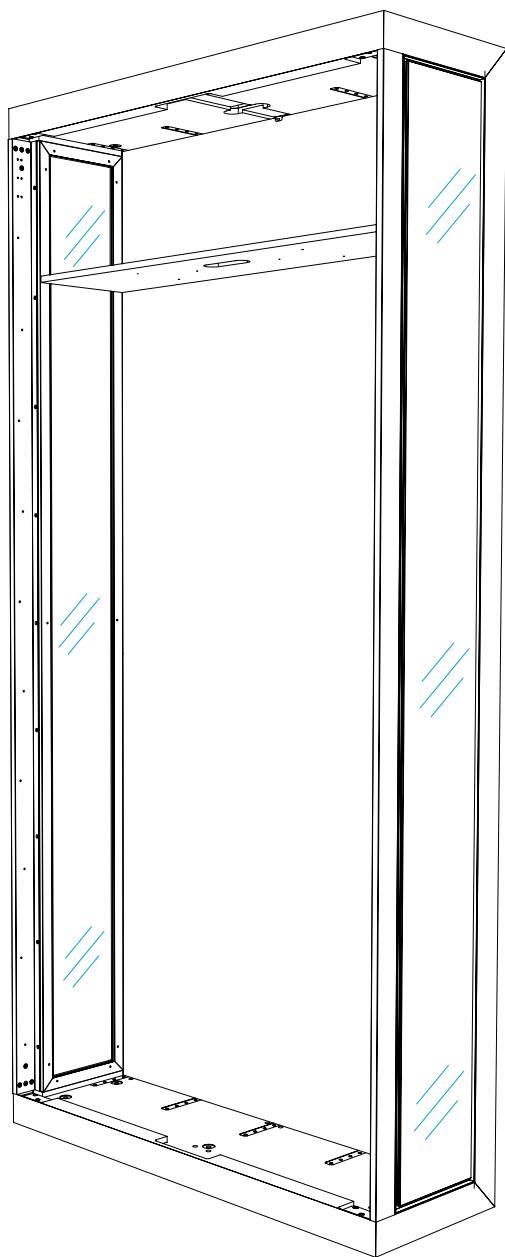


You can use a white rubber mallet (don't use black rubber as the rubber is too stiff) to make sure all the mounting clips are properly mated.



8- Ceiling Finishing Panel Installation

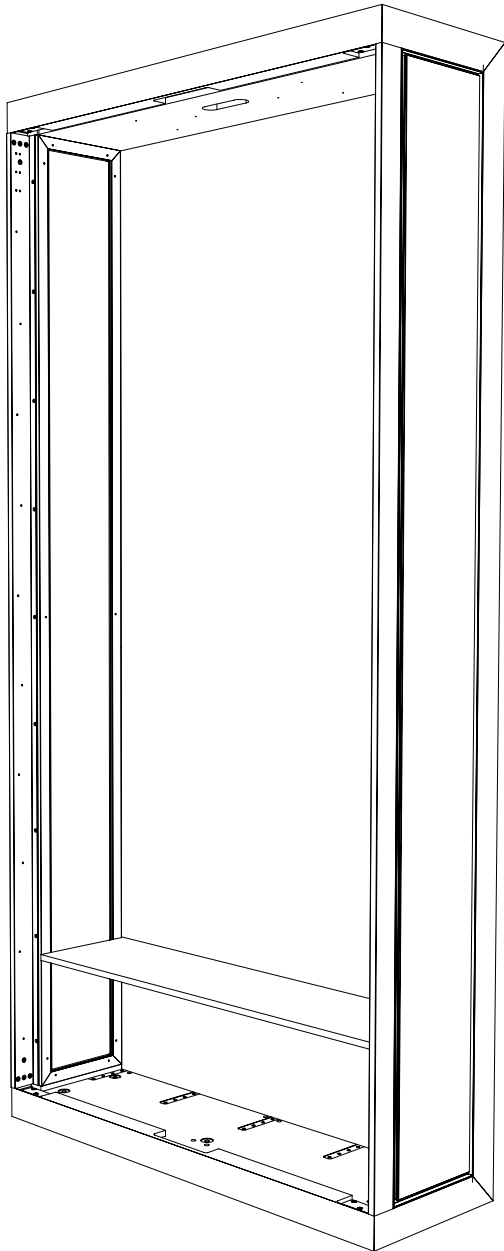
Slide the ceiling panel into place. Make sure the cooling system cutout is aligned with the frame cutout. Push firmly on each mounting clip to make sure they are all engaged. Install the cooling system mounting plate to secure the panel in place.



If you have lights in your wine cellar, bring all cables to the ceiling opening at the front (the door header threshold will cover this opening) before clipping the ceiling finishing panel. You can use tape to hold the cables in the groove while you clip the ceiling panel.

9- Finished Floor Installation

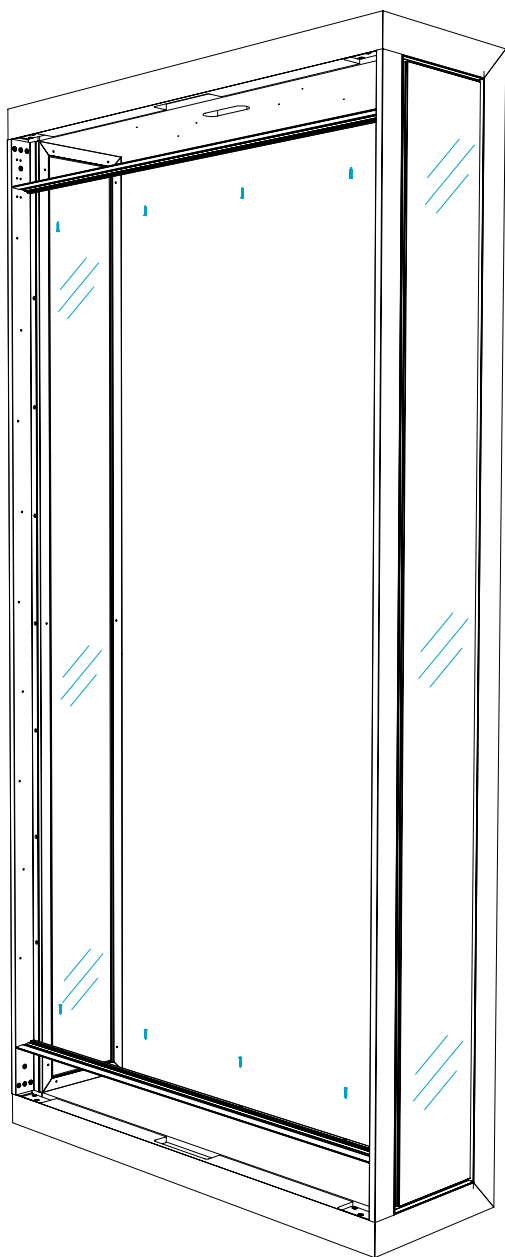
Slide the floor panel into place. Push firmly on each mounting clip to make sure they are all engaged.



If you have a rack system attached to the back wall, you can install it before laying the floor. You can also install your cooling system before this step to avoid damaging the floor.

10- Threshold Installation

Using the 2" wood screws, fix the top and bottom threshold.

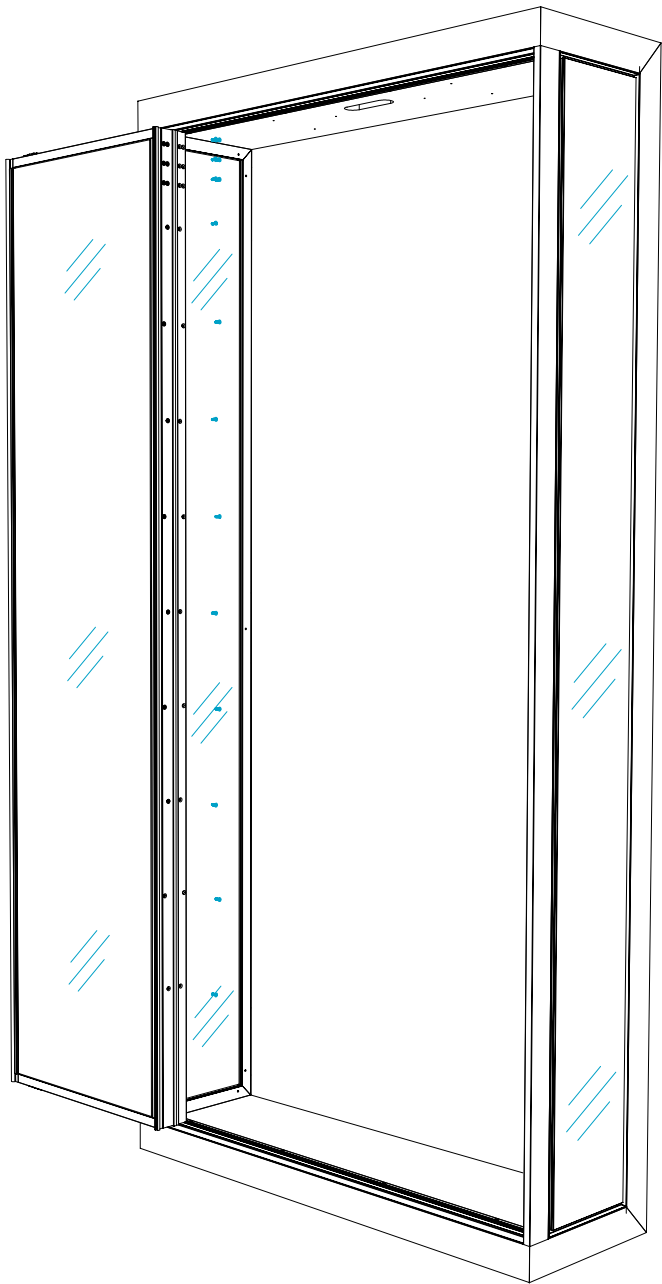


If you have lights behind your post, you can run the wires through the groove between the capping and the ceiling finish.

Complete the electrical connection of the lights and test it before installing the threshold.

11-Door Installation

Install the doors by screwing each door into its post with the #12-3/4" machine screws.

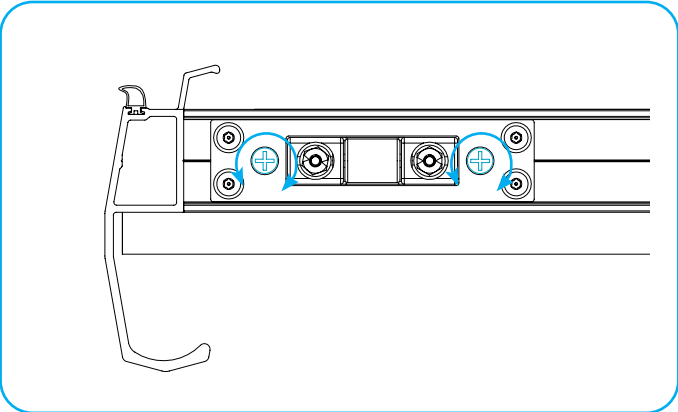
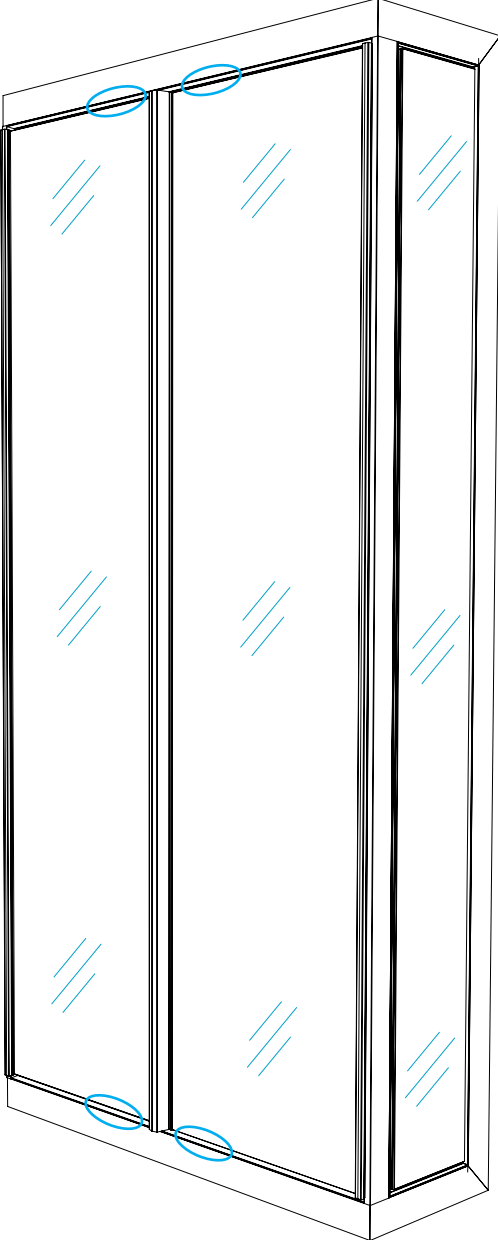


To facilitate installation, place the door on a block of wood in front of the opening and wedge it at the correct height.

This way you won't have to support the weight of the door while you fasten it in place.

12- Door Adjustment

Using a Phillips #2 screwdriver, adjust height of the roller latches on each door. There are two latches located within the thickness of the frame, one below and one above each door.



TECHNICAL SUPPORT

QUESTIONS OR CONCERNS

The Wine Square's number one concern is customer satisfaction. If you need help or have any problems with your ISOCASE envelope, please contact the members of the technical support team for assistance.

Canada / United States: 1.844.888.5522

info@thewinesquare.com

The Wine Square
10, rue Poissant
Delson (Quebec) J5B 2J1
Canada

INSULATING STRUCTURE

ISOCASE

ENGINEERED GLASS SYSTEM

CAVEA

COOLING SYSTEM

CUBE^o

The only all-in-one insulating shell.

- Fully robotized manufacturing that ensures unmatched precision and impeccable finish for your wine cellar.
- Provides the structure with perfect insulation and watertightness that translates into enhanced storage quality for your wine.
- Compatible in every way with the CUBE and CAVEA systems, it installs in less than a day.
- Adaptable to all finishes and configurations.

All the elegance and efficiency of glass

- With unparalleled sophistication, the CAVEA wine cellar system combines beauty and engineered glass performance.
- Fully customizable, CAVEA blends perfectly with any decor.
- In addition to its R8 insulation coefficient, the glass used in the design of the CAVEA system was conceived to offer your wine optimal protection against the harmful effects of light, be it UV or infrared.

The best cooling technology available

- The ideal storage wine cellar ensuring high stability of storage conditions at +/- 0.01°C.
- A system designed to be silent and adaptable to any room.
- Its management interface gives you the ability to know and modify the conservation environment remotely, wherever you are.